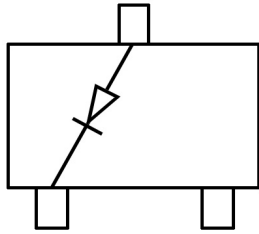
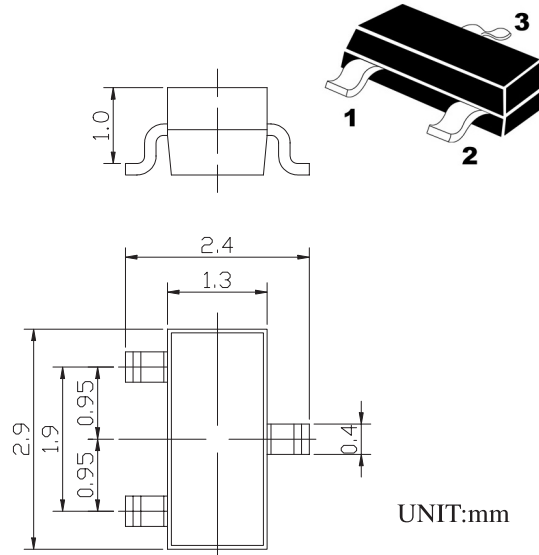


SWITCHING DIODES

 VOLTAGE RANGE: 80 VOLTS
 CURRENT: 0.1 AMPERES

FEATURES

ULTRA HIGH SPEED SWITCHING APPLICATION


MARKING: D3
SOT-23

MAXIMUM RATINGS AND ELECTRICAL CHARACTERISTICS

Ratings at 25°C ambient temperature unless otherwise specified.

MAXIMUM RATINGS

Parameters	Symbols	Value	UNITS
Reverse Voltage	V_R	80	V
Forward Surge Current	I_{FSM}	100	mA
Power Dissipation	P_{tot}	150	mW
Junction Temperature	T_J	125	°C
Storage Temperature Range	T_{STG}	-55---+150	°C

ELECTRICAL CHARACTERISTICS

Parameters	Symbols	Min.	Max.	UNITS
Forward Voltage at $I_F=100mA$	V_F		1.2	V
Leakage Current at $V_R=80V$	I_R		0.5	μA
Reverse Breakdown Voltage Tested with 100μA Pulses	$V_{(BR)}$	80		V
Capacitance at $V_F = V_R = 0V, f=1MHz$	C_{tot}		4	pF
Reverse Recovery Time $I_F= I_R = 10mA$	t_{rr}		4	ns

www.s-manuals.com