

Features

- Input Voltage Range is from 2.7 to 5.5V
- Dropout Voltage 400mV at 300mA Output Current
- Guaranteed 300mA Output Current
- Internal Ron = 1.5Ω PMOS draws no Base Current
- Low Quiescent Current 50µA
- Output Voltage: 1.5V/1.8V/2.0V/2.5V/2.8V/2.9V/3.0V/3.3V/ 3.5V; Accuracy 2%
- Active Low Shutdown Function (EN pin)
- Fast Transient Response
- Good Load Regulation
- Current Limit and Thermal Shutdown Protection
- Short Circuit Current Fold-Back
- Lead Free package: SOT25
- SOT25: Available in "Green" Molding Compound (No Br, Sb)
- Lead Free Finish/RoHS Compliant (Note 1)

General Description

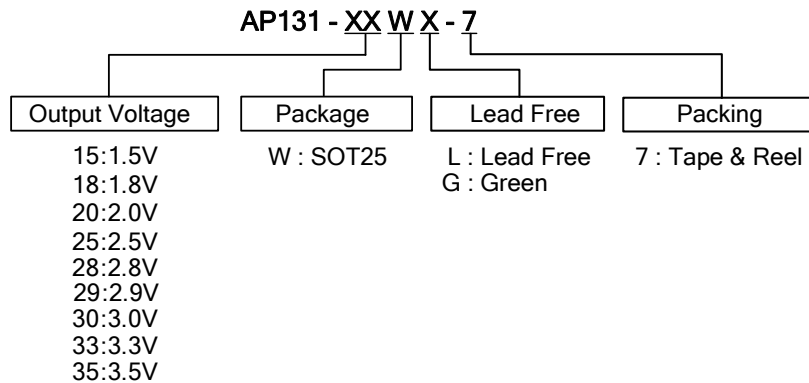
The AP131 is a 300mA, fixed output voltage, low dropout linear regulator. The Device included pass element, error amplifier, band-gap, current limit and thermal shutdown circuitry. The device is ON when the EN pin is set to logic high level.

The characteristics of low dropout voltage and less quiescent current make it good for some critical current applications, for example, some battery powered devices. The typical quiescent current is approximately 50µA from zero to maximum load. Due to the internal flexible design, it results in extensively fixed output voltage versions and makes it convenient to use for applications. Built-in current-limit and thermal-shutdown functions prevent any fault condition from IC damage. An external capacitor can be connected to the BP pin and reduce the output noise.

Applications

- Battery Powered Device
- Wireless Communication
- CD-ROM, DVD, and LAN Card
- PC Peripheral

Ordering Information

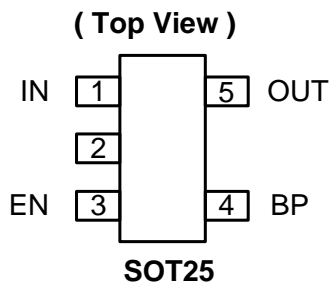


| Device | Package Code | Packaging (Note 2) | 7" Tape and Reel | |
|--------------|--------------|--------------------|------------------|--------------------|
| | | | Quantity | Part Number Suffix |
| AP131-XXWL-7 | W | SOT25 | 3000/Tape & Reel | -7 |
| AP131-XXWG-7 | W | SOT25 | 3000/Tape & Reel | -7 |



Notes: 1. EU Directive 2002/95/EC (RoHS). All applicable RoHS exemptions applied. Please visit our website at http://www.diodes.com/products/lead_free.html.
2. Pad layout as shown on Diodes Inc. suggested pad layout document AP02001, which can be found on our website at <http://www.diodes.com/datasheets/ap02001.pdf>.

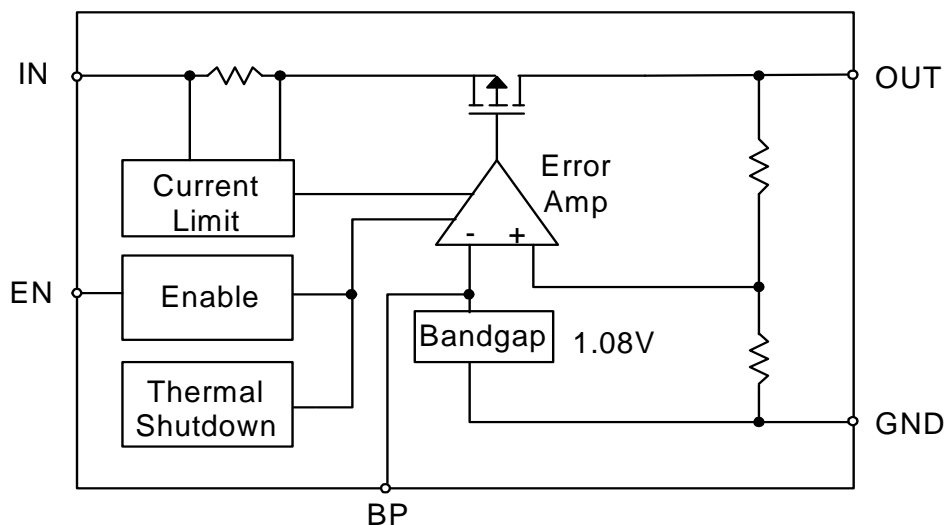
Pin Assignment



Pin Description

| Pin Name | Description |
|----------|----------------|
| IN | Input Voltage |
| GND | Ground |
| EN | Enable Pin |
| BP | Band-gap |
| OUT | Output Voltage |

Block Diagram



Absolute Maximum Ratings

| Symbol | Parameter | Rating | Unit |
|----------|---|--------------|------|
| V_{CC} | Input Voltage | +6 | V |
| T_{OP} | Operating Junction Temperature Range | -40 to +125 | °C |
| T_{ST} | Storage Temperature Range | -65 to +150 | °C |
| P_D | Power Dissipation, P_D @ $T_A = 25^\circ\text{C}$ | SOT25 250 | mW |

Recommended Operating Conditions

| Symbol | Parameter | Min | Max | Unit |
|-----------|-------------------------------|-----|-----|------|
| V_{IN} | Input Voltage | 2.7 | 5.5 | V |
| I_{OUT} | Output Current | 0 | 300 | mA |
| T_A | Operating Ambient Temperature | -40 | 85 | °C |

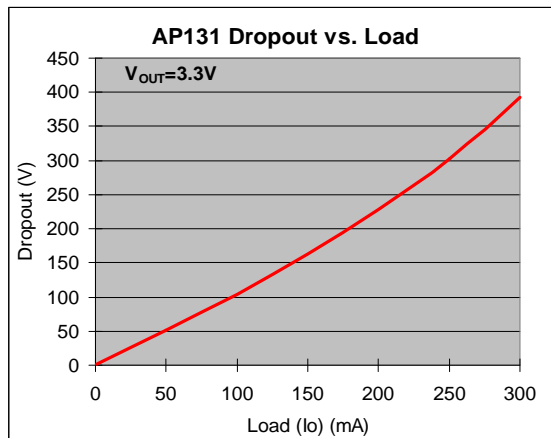
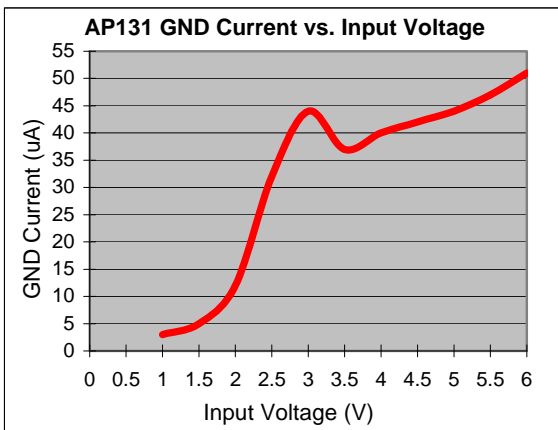
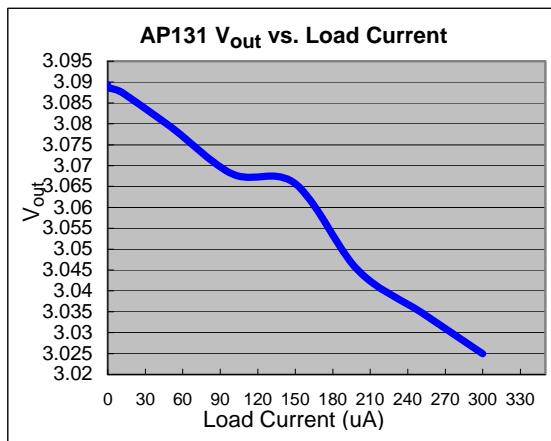
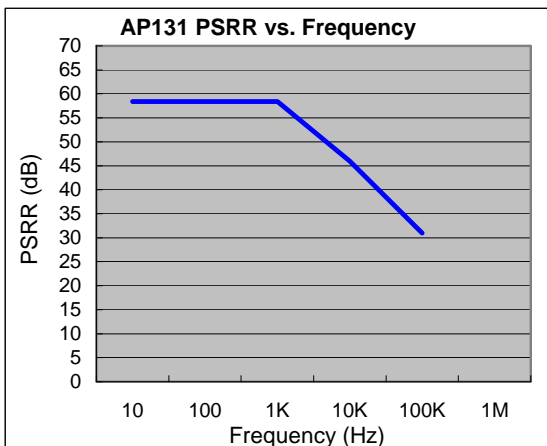
Electrical Characteristics

$T_A = 25^\circ\text{C}$, $C_{IN} = 1\mu\text{F}$, $C_{OUT} = 10\mu\text{F}$, unless otherwise specified.

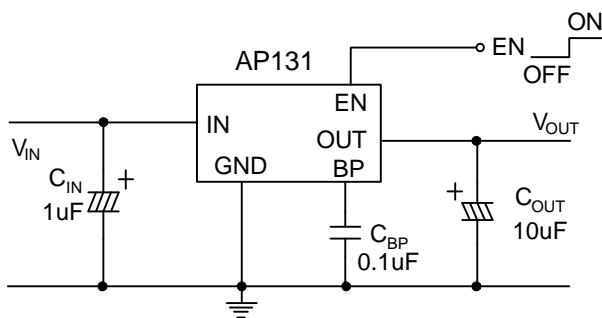
| Symbol | Parameter | Conditions | Min | Typ. | Max | Unit |
|-------------------|---|---|-----|------|----------|---------------|
| V_{DROP} | Dropout Voltage (Note 3) | $I_L = 300\text{mA}$ | - | 400 | 500 | mV |
| I_{LIMIT} | Current Limit (Note 4) | $V_{IN} = 5\text{V}$, $V_{OUT} = 0\text{V}$ | 350 | 450 | - | mA |
| I_{short} | Short Circuit Current | $V_{OUT} < 1.05\text{V}$ | - | 150 | 300 | mA |
| ΔV_{LINE} | Line Regulation | $I_{OUT} = 1\text{mA}$, $V_{IN} = (V_{OUT} + 1\text{V})$ to 5.5V | - | 0.1 | 0.3 | %/V |
| ΔV_{LOAD} | Load Regulation (Note 5) | $I_L = 1\sim 300\text{mA}$, $V_{IN} = 5\text{V}$ | - | 30 | 35 | mV |
| ΔV_{OUT} | Output Voltage Accuracy | $I_L = 1\text{mA}$, $V_{IN} = 5\text{V}$ | -2 | - | +2 | % |
| | Output Voltage Temperature Coefficient (Note 6) | | - | 50 | 150 | PPM/ °C |
| PSRR | Ripple Rejection | $F = 100\text{Hz}$, $C_{IN} = 1\mu\text{F}$, $C_O = 10\mu\text{F}$, $I_L = 100\text{mA}$ | - | 60 | - | dB |
| I_{SB} | Standby Current | $I_L = 0\text{mA}$, $V_{IN} = 5\text{V}$, $EN = 0\text{V}$ | - | - | 5 | μA |
| I_Q | Quiescent Current | $I_L = 0\text{mA}$, $V_{IN} = 5\text{V}$, $EN = 5\text{V}$ | - | 50 | 100 | μA |
| I_{EN} | Enable Pin Current | | - | - | < 0.1 | μA |
| V_{ENON} | Enable Pin Voltage | Output ON | 1.5 | - | V_{IN} | V |
| V_{ENOFF} | | Output OFF | 0 | - | 0.8 | V |
| T_{DELAY} | Enable Delay Time | $C_{BP} = 0.1\mu\text{F}$, $C_{OUT} = 1\mu\text{F}$, $I_{OUT} = 30\text{mA}$ | - | 8 | - | μS |
| θ_{JA} | Thermal Resistance Junction-to-Ambient | SOT25 (Note 7) | | 163 | | °C/W |
| θ_{JC} | Thermal Resistance Junction-to-Case | SOT25 (Note 7) | | 53 | | °C/W |

- Notes:
- Dropout voltage is defined as the input to output differential voltage. Dropout is measured at constant junction temperature by using pulsed ON time, and the criterion is V_{OUT} inside target value $\pm 2\%$. This test is skipped at the condition of $V_{IN} < 3\text{V}$.
 - Current limit is measured at constant junction temperature by using pulsed testing with a low ON time.
 - Regulation is measured at constant junction temperature by using pulsed testing with a low ON time.
 - Guaranteed by design.
 - Test conditions for SOT25: Device mounted on FR-4 substrate PC board, 2oz copper, with minimum recommended pad layout.

Typical Characteristics



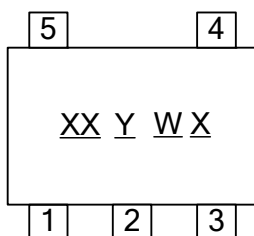
Typical Application Circuit



Marking Information

(1) SOT25

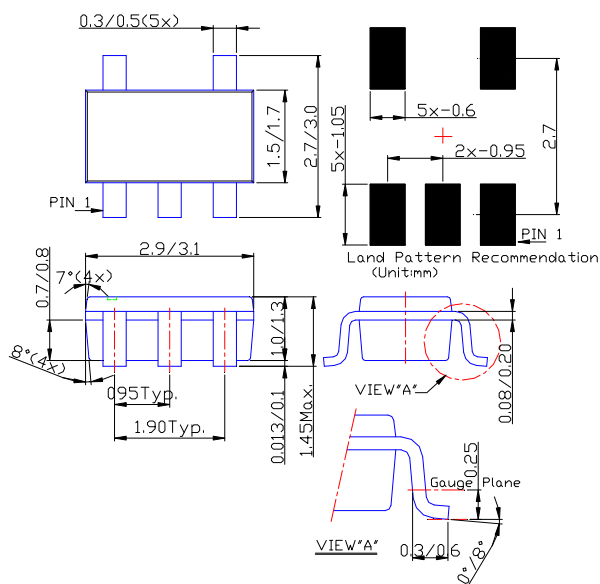
(Top View)



XX : Identification code
Y : Year 0~9
W : Week : A~Z : 1~26 week;
 a~z : 27~52 week; z represents
 52 and 53 week
X : a~z : Lead Free
 A~Z : Green

| Part Number | Package | Identification Code |
|-------------|---------|---------------------|
| AP131-15W | SOT25 | DA |
| AP131-18W | SOT25 | DD |
| AP131-20W | SOT25 | DF |
| AP131-25W | SOT25 | DK |
| AP131-28W | SOT25 | DN |
| AP131-29W | SOT25 | DO |
| AP131-30W | SOT25 | DP |
| AP131-33W | SOT25 | DS |
| AP131-35W | SOT25 | DU |

Package Information (All Dimensions in mm)



IMPORTANT NOTICE

Diodes Incorporated and its subsidiaries reserve the right to make modifications, enhancements, improvements, corrections or other changes without further notice to any product herein. Diodes Incorporated does not assume any liability arising out of the application or use of any product described herein; neither does it convey any license under its patent rights, nor the rights of others. The user of products in such applications shall assume all risks of such use and will agree to hold Diodes Incorporated and all the companies whose products are represented on our website, harmless against all damages.

LIFE SUPPORT

Diodes Incorporated products are not authorized for use as critical components in life support devices or systems without the expressed written approval of the President of Diodes Incorporated.

www.s-manuals.com