

## Silicon Epitaxial Planar Diode

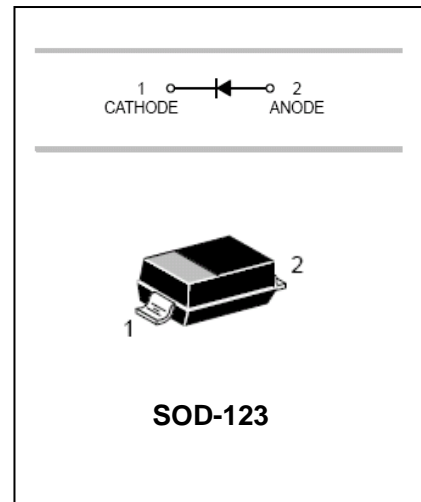
## BAV16W

### FEATURES

- Fast Switching Speed:  $t_{rr}=4ns$ (Typ)
- Surface Mount Package Ideally Suited For Automatic Insertion
- For General Purpose Switching Applications
- High Conductance
- Available in Lead Free Version



Lead-free



### APPLICATIONS

- Surface mount fast switching diode

### ORDERING INFORMATION

Type No.	Marking	Package Code
BAV16W	T6	SOD-123

### MAXIMUM RATING @ $T_a=25^{\circ}C$ unless otherwise specified

Characteristic	Symbol	Value	Unit
Non-Repetitive Peak Reverse Voltage	$V_{RM}$	100	V
Peak Repetitive Reverse Voltage	$V_{RRM}$	75	V
Working Peak Reverse Voltage	$V_{RWM}$		
DC Reverse Voltage	$V_R$		
RMS Reverse Voltage	$V_{R(RMS)}$	53	V
Forward Continuous Current	$I_{FM}$	300	mA
Average Rectified Output Current	$I_o$	150	mA
Non-Repetitive Peak Forward Surge Current @ $t=1.0 \mu s$	$I_{FSM}$	2.0	A
@ $t=1.0 s$		1.0	
Power Dissipation	$P_d$	400	mW
Thermal Resistance Junction to Ambient Air	$R_{\theta JA}$	315	$^{\circ}C/W$
Operating and Storage Temperature Range	$T_j, T_{STG}$	-65 to +150	$^{\circ}C$

## Silicon Epitaxial Planar Diode

## BAV16W

### ELECTRICAL CHARACTERISTICS @ Ta=25°C unless otherwise specified

Characteristic	Symbol	Min	Max	Unit	Test Condition
Reverse Breakdown Voltage	$V_{(BR)R}$	75	-	V	$I_R=1.0\mu A$
Forward Voltage	$V_F$	0.62	0.72 0.855 1.0 1.25	V	$I_F=5mA$ $I_F=10mA$ $I_F=100mA$ $I_F=150mA$
Reverse Current	$I_R$	-	1.0 25	$\mu A$ nA	$V_R=75V$ $V_R=20V$
Capacitance between terminals	$C_T$	-	2.0	pF	$V_R=0, f=1.0MHz$
Reverse Recovery Time	$t_{rr}$	-	4.0	ns	$I_F=I_R=10mA,$ $I_{rr}=0.1 \times I_R, R_L=100\Omega$

### TYPICAL CHARACTERISTICS @ Ta=25°C unless otherwise specified

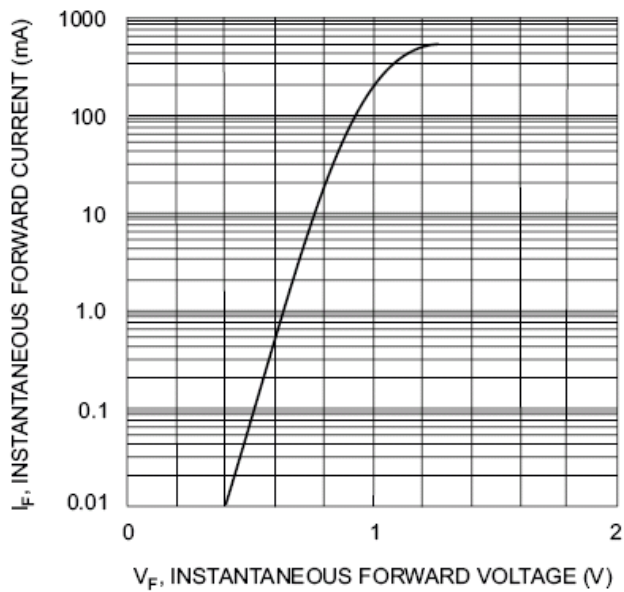


Fig. 1 Forward Characteristics

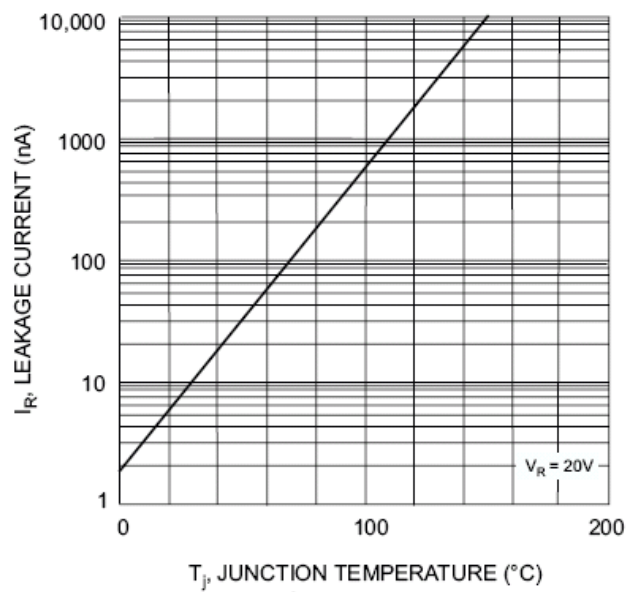


Fig. 2 Leakage Current vs Junction Temperature

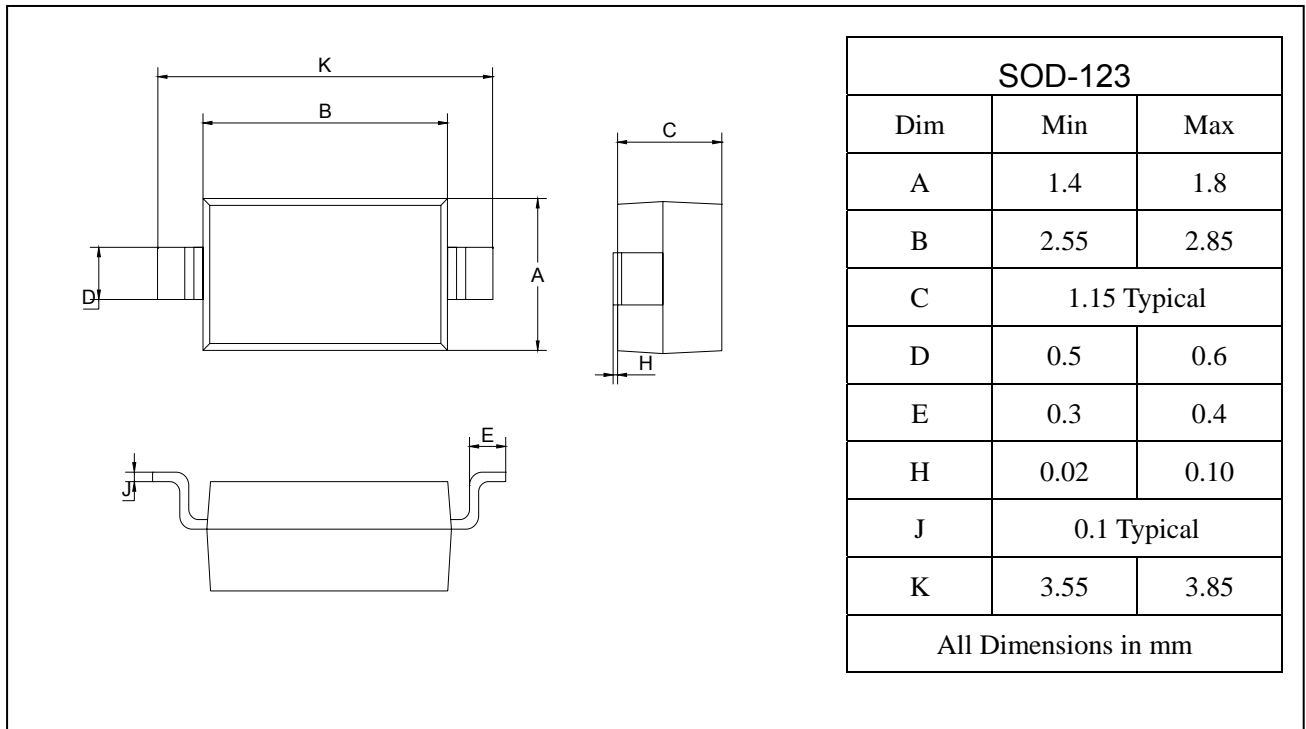
## Silicon Epitaxial Planar Diode

## BAV16W

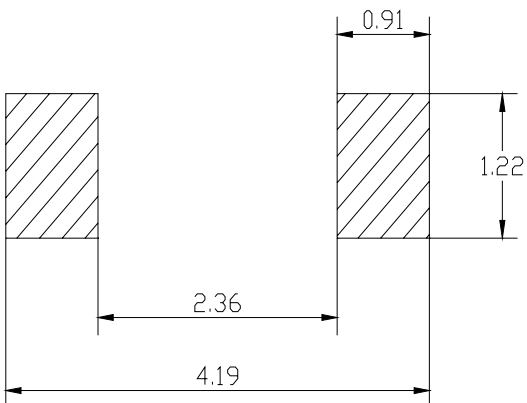
### PACKAGE OUTLINE

Plastic surface mounted package

SOD-123



### SOLDERING FOOTPRINT



Unit : mm

### PACKAGE INFORMATION

Device	Package	Shipping
BAV16W	SOD-123	3000/Tape&Reel

[www.s-manuals.com](http://www.s-manuals.com)