

High-Speed Step-Down Controller with LDO Controller for Notebook Computer

Features

--PWM Controller

- Ultra-High Efficiency
- No Current-Sense Resistor (Lossless I_{LIMIT})
- Quasi-PWM with 100ns Load-Step Response
- 1% V_{OUT} Accuracy Over Line and Load
- 0.75V to 5.5V Adjustable Output Range
- 4.5V to 24V Battery Input Range
- OVP & UVP
- 1.7ms Digital Soft-Start
- Drives Large Synchronous-Rectifier FETs
- Power-Good Indicator

--LDO Controller

- 1.5% Accuracy Over Line and Load
- Adjustable Output down to 0.75V
- Independent Enable and Power Good Indicator
- Drives N-channel MOSFET within Rail to Rail Controller Voltage
- MLCC and POSCAP Stable

Applications

- Notebook Computers
- CPU Core Supply
- Chipset/RAM Supply as Low as 0.75V
- 1.8V and 2.5V I/O Supply
- Networking Power Supply

General Description

G5601 PWM controller uses constant on-time control scheme to handle wide input/output voltage ratios with ease and provides 100ns "instant-on" response to load transients while maintaining a relatively constant switching frequency. The G5601 achieves high efficiency at a reduced cost by eliminating the current-sense resistor found in traditional current-mode PWMs. Efficiency is further enhanced by an ability to drive very large synchronous rectifier MOSFETs. Single-stage buck conversion allows these devices to directly step down high-voltage batteries for the highest possible efficiency. Alternatively, two-stage conversion (stepping down the +5V system supply instead of the battery) at a higher switching frequency allows the minimum possible physical size. The G5601 is intended for CPU core, chipset, DRAM, or other low-voltage supplies as low as 0.75V. G5601 LDO controller can drive an external NMOSFET to provide a second output voltage from PWM output or other power source. It is adjusted output from 0.75V. The independent enable input, open-drain power good indicator, under-voltage protection and soft-start are provided for system application.

The G5601 is available in 16-pin TQFN (3X3) package.

Ordering Information

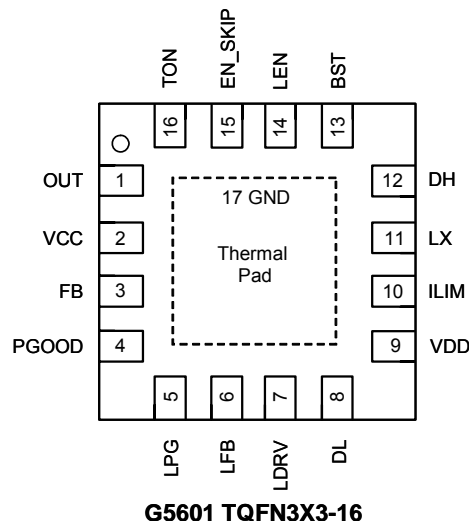
ORDER NUMBER	MARKING	TEMP. RANGE	PACKAGE (Pb free)
G5601R41U	5601	0°C to +85°C	TQFN3X3-16

Note: R4:TQFN3X3-16

1: Bonding Code

U : Tape & Reel

Pin Configuration



www.s-manuals.com