

**300mA Low-Dropout Linear Regulators****Features**

- Low, 100 μ A No-Load Supply Current
- Guaranteed 300mA Output Current
- Dropout Voltage is 100mV @ 100mA Load
- Over-Temperature Protection and Short-Circuit Protection
- Max. Supply Current in Shutdown Mode < 1 μ A
- Stable with Low Cost Ceramic Capacitors

Applications

- Notebook Computers
- Cellular Phones
- PDAs
- Digital still Camera and Video Recorders
- Hand-Held Devices
- Bar Code Scanners

General Description

The G9191 is a low supply current, low dropout linear regulator that comes in a space saving SOT-23-5 package. The supply current at no-load is 100 μ A. In the shutdown mode, the maximum supply current is less than 1 μ A. The over-current protection limit is set at 430mA typical. An overtemperature protection circuit is built-in in the G9191 to prevent thermal overload. These power saving features make the G9191 ideal for use in the battery-powered applications such as notebook computers, cellular phones, and PDA's.

These devices feature a shutdown function and are offered in active low with auto discharge. The G9191 is specifically designed to employ ceramic output capacitors.

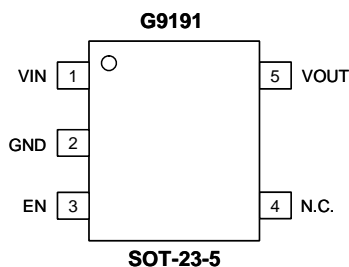
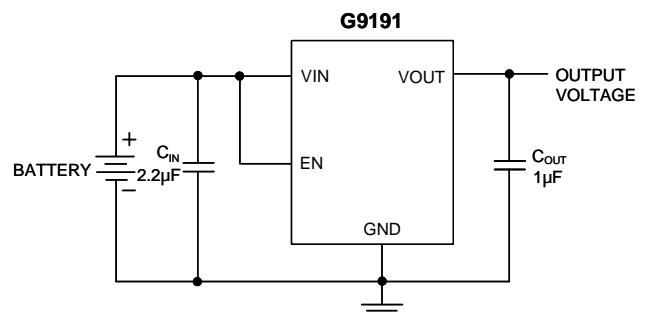
Ordering Information

ORDER NUMBER	MARKING	VOLTAGE	TEMP. RANGE	PACKAGE (Green)
G9191-280T1U	91AQx	2.80V	-40°C~ +85°C	SOT-23-5
G9191-330T1U	91AXx	3.30V	-40°C~ +85°C	SOT-23-5
G9191-475T1U	91BMx	4.75V	-40°C~ +85°C	SOT-23-5

For other output voltage, please contact us at sales@gmt.com.tw

Note: T1: SOT-23-5

U: Tape & Reel

Pin Configuration**Typical Application Circuit**

www.s-manuals.com