

4X Linear Fan Driver for 12V DC Fan

Features

- VO Follows 4.0 Times of VSET
- 0.5V Dropout @ 0.5A
- Over Current and Over Temperature Protection
- Enable Pin
- 100µA Quiescent Current in Shutdown
- Power TO-252-5, SOP-8 with power pad Package

Applications

- Notebook Computer Fan Driver
- Projector Cooling Fan
- Battery Powered Systems
- Motherboards
- Peripheral Cards

General Description

The G9941 is a high performance positive voltage regulator designed for use in applications requiring very low dropout voltage at up to 0.5 Amps. The G9941 VO output voltage follows the 4.0 times of VSET voltage until it reaches VIN voltage. The VSET voltage must be larger than 1V to guarantee VO 4.0 times of VSET. An enable pin further reduces power dissipation while shut down. The G9941 provides excellent regulation over variations in line, load and temperature.

The G9941 is available in the power TO-252-5 and SOP-8 with power pad package.

Ordering Information

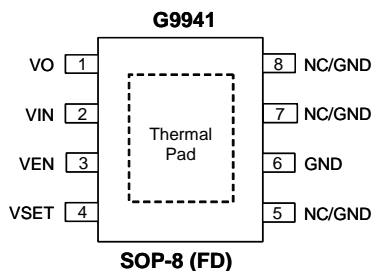
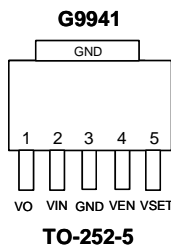
ORDER NUMBER	MARKING	TEMP. RANGE	PACKAGE (Green)
G9941TJ1U	G9941	-40°C ~ +85°C	TO-252-5
G9941F11U	G9941	-40°C ~ +85°C	SOP-8 (FD)

Note: TJ: TO-252-5 F1: SOP (FD)

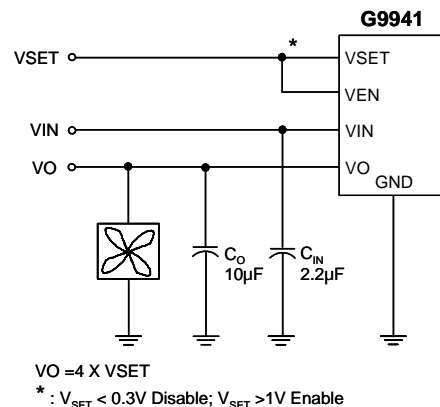
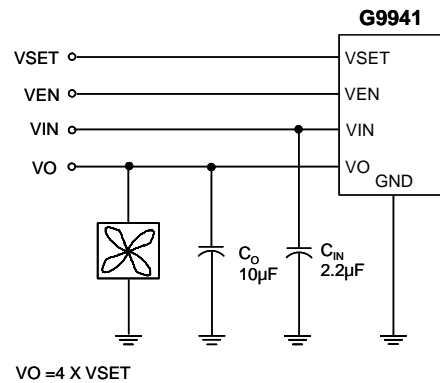
1: Bonding Code

U: Tape & Reel

Pin Configuration



Typical Application Circuit



www.s-manuals.com