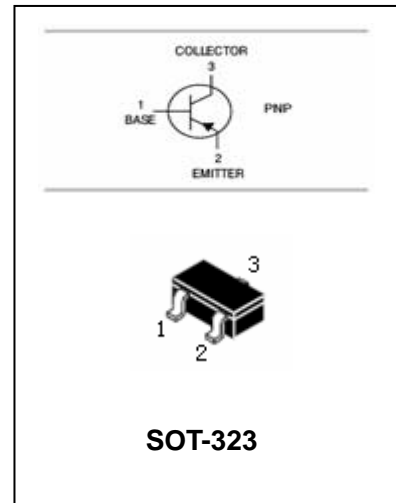


## PNP Silicon Epitaxial Planar Transistor

## KTA2015

### FEATURES

- Power dissipation.( $P_C=100\text{mW}$ )
- Excellent  $h_{FE}$  Linearity.
- Complementary to KTC4076.
- Small package.



### APPLICATIONS

- General purpose application and switching application.

### ORDERING INFORMATION

Type No.	Marking	Package Code
KTA2015	ZO/ZY	SOT-323

### MAXIMUM RATING @ $T_a=25^\circ\text{C}$ unless otherwise specified

Symbol	Parameter	Value	Units
$V_{CBO}$	Collector-Base Voltage	-35	V
$V_{CEO}$	Collector-Emitter Voltage	-30	V
$V_{EBO}$	Emitter-Base Voltage	-5	V
$I_C$	Collector Current -Continuous	-500	mA
$P_C$	Collector Dissipation	100	mW
$T_j, T_{stg}$	Junction and Storage Temperature	-55~150	$^\circ\text{C}$

## PNP Silicon Epitaxial Planar Transistor

## KTA2015

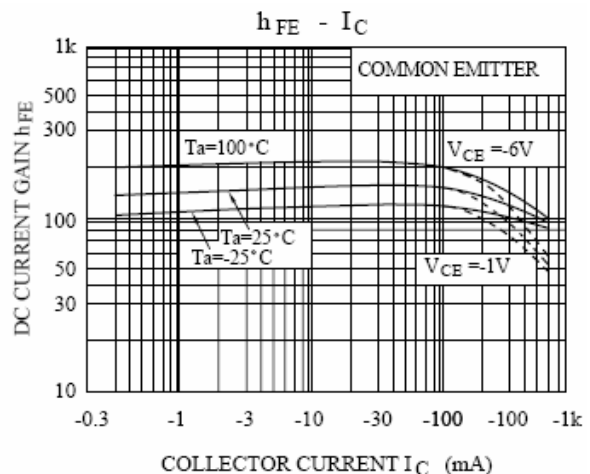
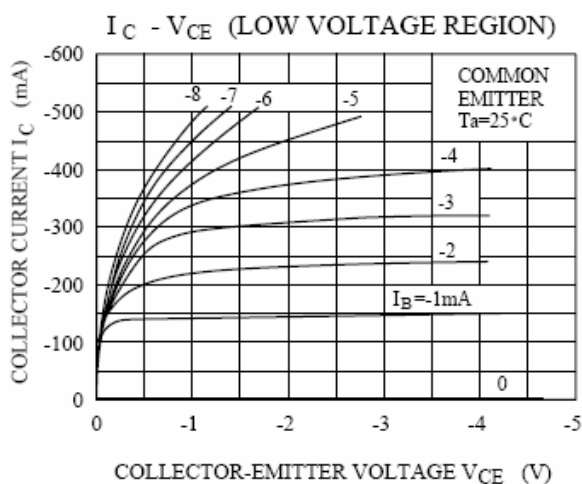
### ELECTRICAL CHARACTERISTICS @ Ta=25°C unless otherwise specified

Parameter	Symbol	Test conditions	MIN	TYP	MAX	UNIT
Collector-base breakdown voltage	$V_{(BR)CBO}$	$I_C = -50\mu A, I_E = 0$	-35			V
Collector-emitter breakdown voltage	$V_{(BR)CEO}$	$I_C = -1mA, I_B = 0$	-30			V
Emitter-base breakdown voltage	$V_{(BR)EBO}$	$I_E = -50\mu A, I_C = 0$	-5			V
Collector cut-off current	$I_{CBO}$	$V_{CB} = -35V, I_E = 0$			-0.1	$\mu A$
Emitter cut-off current	$I_{EBO}$	$V_{EB} = -5V, I_C = 0$			-0.1	$\mu A$
DC current gain	$h_{FE}$	$V_{CE} = -1V, I_C = -100mA$ $V_{CE} = -6V, I_C = -400mA$	70 25		240	
Collector-emitter saturation voltage	$V_{CE(sat)}$	$I_C = -100mA, I_B = -10mA$		-0.1	-0.25	V
Transition frequency	$f_T$	$V_{CE} = -6V, I_C = -20mA$		200		MHz
Collector output capacitance	$C_{ob}$	$V_{CB} = -6V, I_E = 0, f = 1MHz$		13		pF

### CLASSIFICATION OF $h_{FE}$

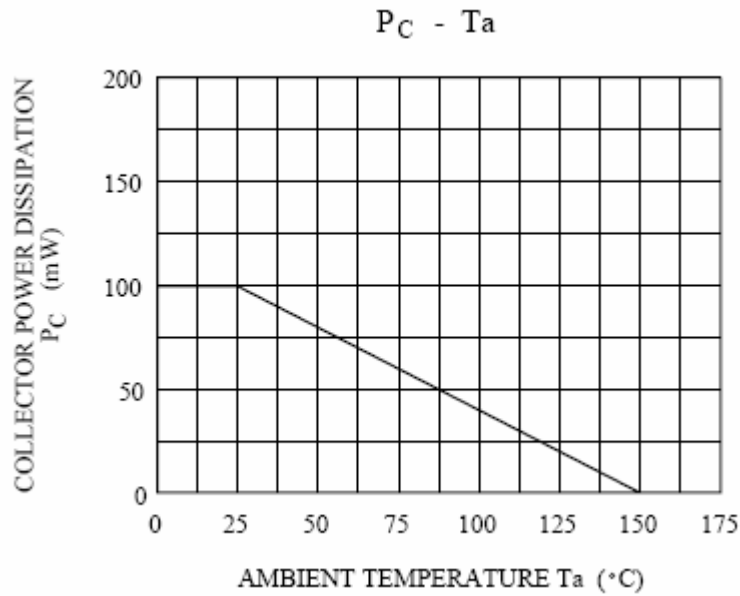
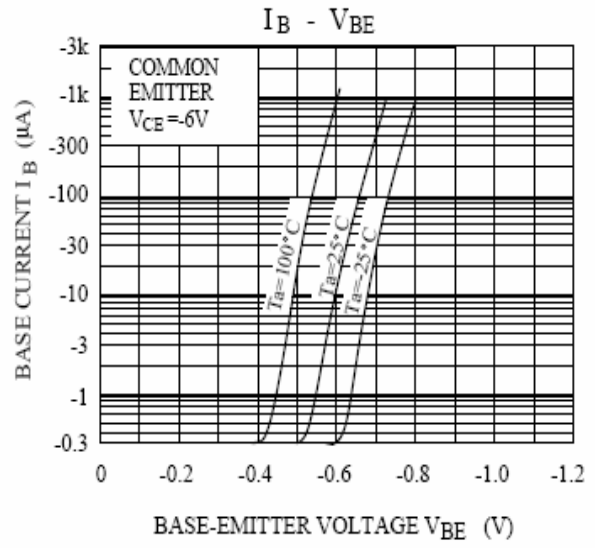
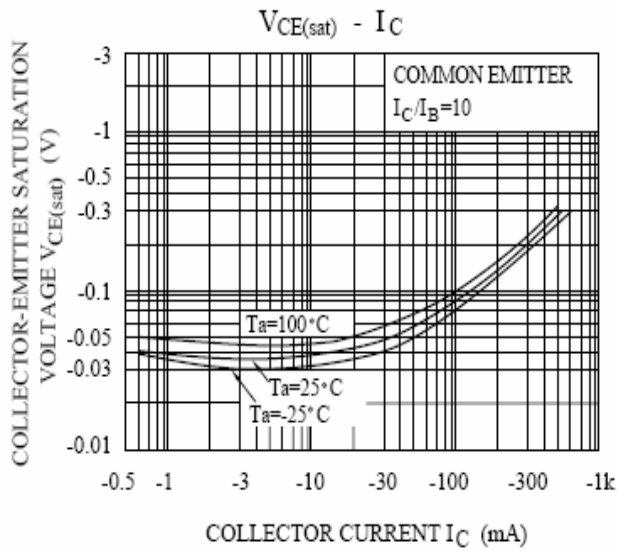
Rank	O	Y
Range	70-140	120-240
marking	ZO	ZY

### TYPICAL CHARACTERISTICS @ Ta=25°C unless otherwise specified



**PNP Silicon Epitaxial Planar Transistor**

**KTA2015**



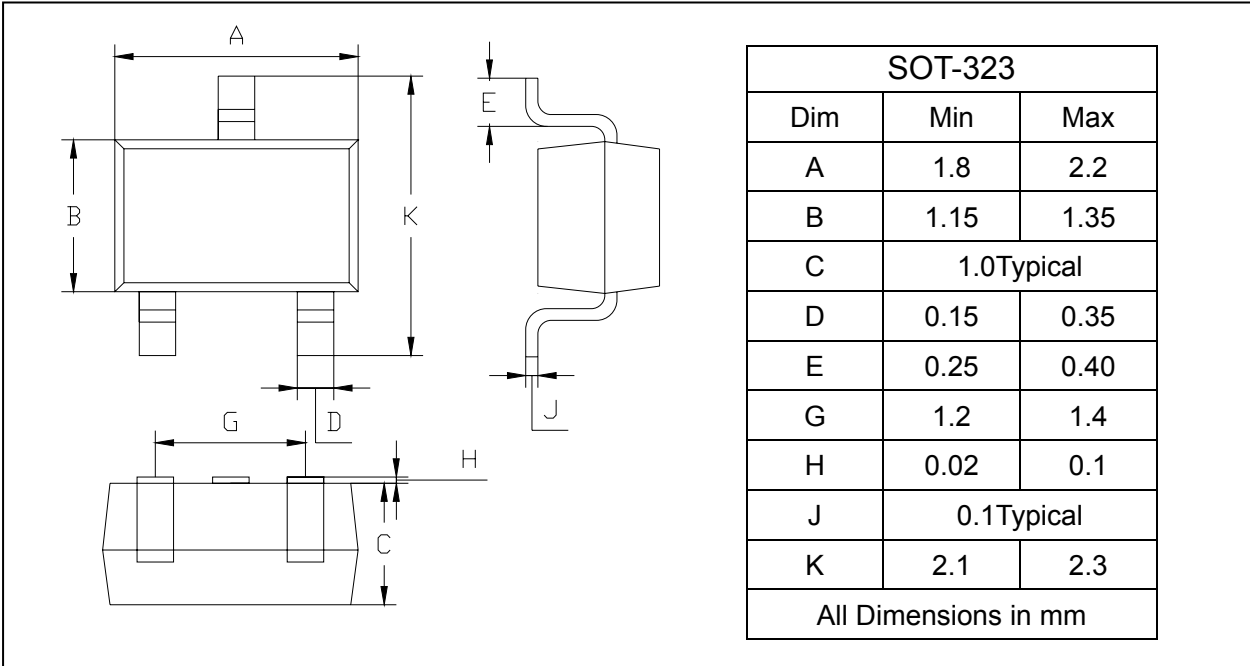
## PNP Silicon Epitaxial Planar Transistor

## KTA2015

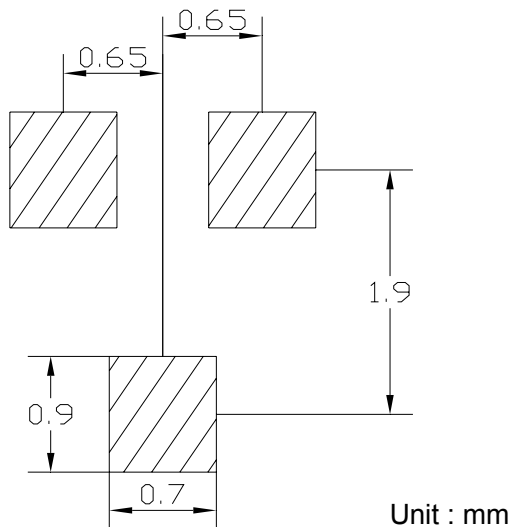
### PACKAGE OUTLINE

Plastic surface mounted package

SOT-323



### SOLDERING FOOTPRINT



### PACKAGE INFORMATION

Device	Package	Shipping
KTA2015	SOT-323	3000/Tape&Reel

[www.s-manuals.com](http://www.s-manuals.com)