



LMV331

LINEAR INTEGRATED CIRCUIT

SINGLE GENERAL PURPOSE, LOW VOLTAGE, SMALL PACK COMPARATORS

DESCRIPTION

The UTC **LMV331** is the single version, which is available in space saving SOT23-5 packages. The UTC **LMV331** is the most cost-effective solution where space, low voltage, low power and price are the primary specification in circuit design for portable consumer products. The UTC **LMV331** have bipolar input and output stages for improved noise performance.

FEATURES

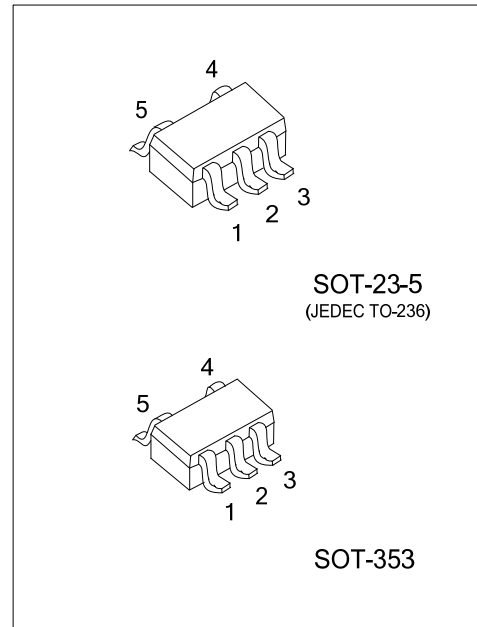
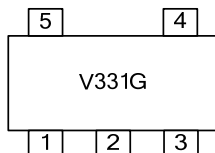
- * Low operating voltage 2.7-5V.
- * Industrial temperature range (-40°C~+85°C)
- * Low supply current 60µA
- * Input common mode voltage range includes ground
- * Low output saturation voltage 0.2V

ORDERING INFORMATION

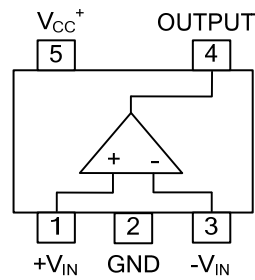
Ordering Number	Package	Packing
LMV331G-AE5-R	SOT-23-5	Tape Reel
LMV331G-AL5-R	SOT-353	Tape Reel

<p>LMV331G-AE5-R</p> <p>(1) Packing Type (2) Package Type (3) Green Package</p>	<p>(1) R: Tape Reel (2) AE5: SOT-23-5, AL5: SOT-353 (3) G: Halogen Free and Lead Free</p>
---	---

MARKING



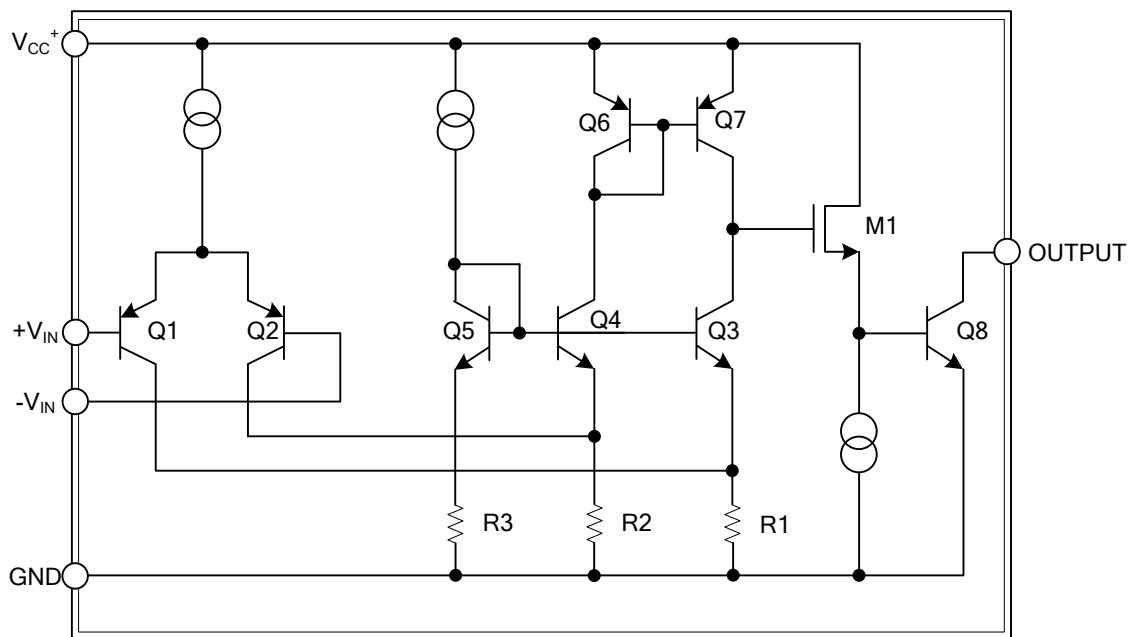
■ PIN CONFIGURATION



■ PIN DESCRIPTION

PIN NO.	PIN NAME	DESCRIPTION
1	+V _{IN}	Non-inverting input
2	GND	Ground
3	+V _{IN}	inverting input
4	OUTPUT	Output
5	V _{CC} ⁺	Power supply

■ BLOCK DIAGRAM



■ ABSOLUTE MAXIMUM RATING

PARAMETER	SYMBOL	RATINGS	UNIT
Supply Voltage	V_{CC}	2.7~5.5	V
Differential Input Voltage	$V_{IN(DIFF)}$	$\pm V_{CC}$	V
Voltage on Any Pin (Referred to GND pin)		5.5	V
Soldering Information	Infrared or Convection (20 sec)	235	°C
Junction Temperature (Note 1)	T_J	150	°C
Operating Temperature	T_{OPR}	-40~+85	°C
Storage Temperature	T_{STG}	-65~+150	°C

Note: Absolute maximum ratings are those values beyond which the device could be permanently damaged. Absolute maximum ratings are stress ratings only and functional device operation is not implied.

■ THERMAL CHARACTERISTICS (Note1)

PARAMETER	SYMBOL	RATINGS	UNIT
Junction to Ambient	SOT-23-5	265	°C/W
	SOT-353	350	°C/W

■ 2.7V DC ELECTRICAL CHARACTERISTICS

(All limits guaranteed for $T_J=25^\circ\text{C}$, $V_+=2.7\text{V}$, $V_-=0\text{V}$, unless otherwise specified. Boldface limits apply at the temperature extremes.)

PARAMETER	SYMBOL	TEST CONDITIONS	MIN	TYP (Note 2)	MAX (Note 3)	UNIT
Input Offset Voltage	V_{OS}			1.7	7	mV
Input Offset Voltage Average Drift	TCV_{OS}			5		$\mu\text{V}/^\circ\text{C}$
Input Bias Current	I_B			10	250	nA
Input Offset Current	I_{OS}			5	50	nA
Input Voltage Range	V_{CM}			-0.1		V
				2.0		V
Saturation Voltage	V_{SAT}	$I_{sink} \leq 1\text{mA}$		200		mV
Output Sink Current	I_O	$V_O \leq 1.5\text{V}$	5	23		mA
Supply Current	I_S			40	100	μA
Output Leakage Current				0.003	1	μA

■ 2.7V AC ELECTRICAL CHARACTERISTICS ($T_J=25^\circ\text{C}$, $V_+=2.7\text{V}$, $R_L=5.1\text{k}\Omega$, $V_-=0\text{V}$.)

PARAMETER	SYMBOL	TEST CONDITIONS	MIN	TYP (Note 2)	MAX	UNIT
Propagation Delay (High to Low)	t_{PHL}	Input Overdrive=10mV		1000		ns
		Input Overdrive=100mV		350		ns
Propagation Delay (Low to High)	t_{PLH}	Input Overdrive=10mV		500		ns
		Input Overdrive=100mV		400		ns

■ 5V DC ELECTRICAL CHARACTERISTICS

(All limits guaranteed for $T_J=25^\circ\text{C}$, $V_+=5\text{V}$, $V_-=0\text{V}$, Unless otherwise specified. Boldface limits apply at the temperature extremes.)

PARAMETER	SYMBOL	TEST CONDITIONS	MIN	TYP (Note 2)	MAX (Note 3)	UNIT
Input Offset Voltage	V_{OS}			1.7	7	mV
Input Offset Voltage Average Drift	TCV_{OS}			5		$\mu\text{V}/^\circ\text{C}$
Input Bias Current	I_B			25	250	nA
Input Offset Current	I_{OS}			2	50	nA
Input Voltage Range	V_{CM}			-0.1		V
				4.2		V
Voltage Gain	A_V		20	50		V/mV
Saturation Voltage	V_{SAT}	$I_{sink} \leq 4\text{mA}$		200	400	mV
Output Sink Current	I_O	$V_O \leq 1.5\text{V}$	10	84		mA
Supply Current	I_S			60	120	μA
Output Leakage Current				0.003	1	μA

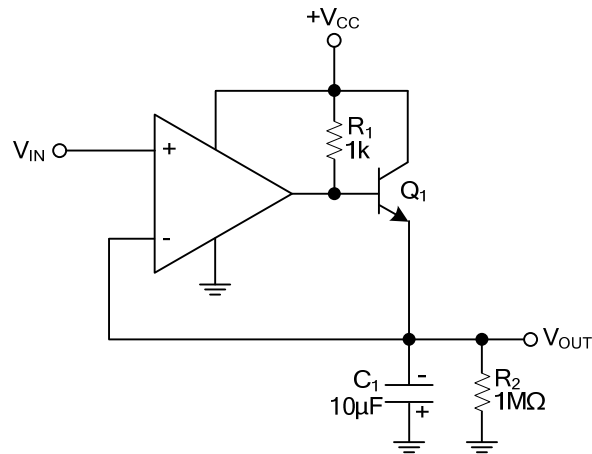
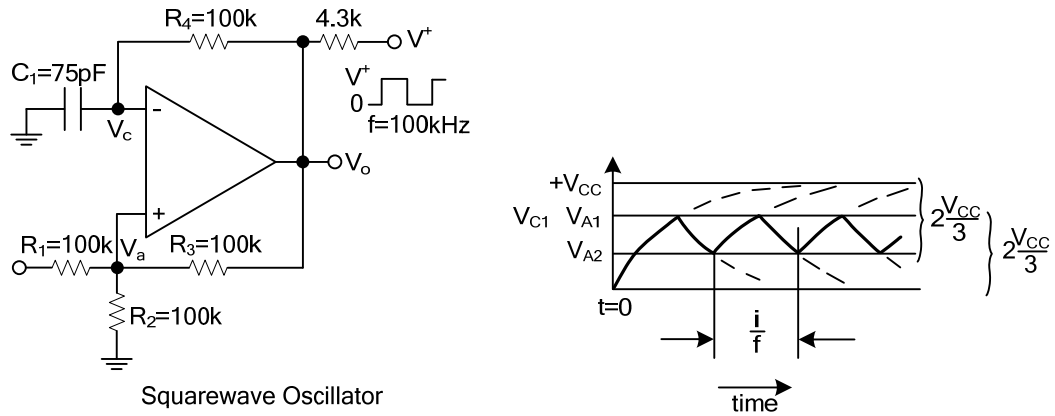
■ 5V AC ELECTRICAL CHARACTERISTICS ($T_J=25^\circ\text{C}$, $V_+=5\text{V}$, $R_L=5.1\text{k}\Omega$, $V_-=0\text{V}$.)

PARAMETER	SYMBOL	TEST CONDITIONS	MIN	TYP (Note 2)	MAX	UNIT
Propagation Delay (High to Low)	t_{PHL}	Input Overdrive=10mV		600		ns
		Input Overdrive=100mV		200		ns
Propagation Delay (Low to High)	t_{PLH}	Input Overdrive=10mV		450		ns
		Input Overdrive=100mV		300		ns

Notes: 1. The maximum power dissipation is a function of $T_{J(max)}$, θ_{JA} , and T_A . The maximum allowable power dissipation at any ambient temperature is $P_D=(T_{J(max)}-T_A)/\theta_{JA}$. All numbers apply for packages soldered directly into a PC board.

2. Typical Values represent the most likely parametric norm.
3. All limits are guaranteed by testing or statistical analysis.

■ TYPICAL APPLICATION CIRCUIT



UTC assumes no responsibility for equipment failures that result from using products at values that exceed, even momentarily, rated values (such as maximum ratings, operating condition ranges, or other parameters) listed in products specifications of any and all UTC products described or contained herein. UTC products are not designed for use in life support appliances, devices or systems where malfunction of these products can be reasonably expected to result in personal injury. Reproduction in whole or in part is prohibited without the prior written consent of the copyright owner. The information presented in this document does not form part of any quotation or contract, is believed to be accurate and reliable and may be changed without notice.

www.s-manuals.com