



68HC11/Bidirectional-Compatible μ P Reset Circuit

MAX6314

General Description

The MAX6314 low-power CMOS microprocessor (μ P) supervisory circuit is designed to monitor power supplies in μ P and digital systems. The MAX6314's $\overline{\text{RESET}}$ output is bidirectional, allowing it to be directly connected to μ Ps with bidirectional reset inputs, such as the 68HC11. It provides excellent circuit reliability and low cost by eliminating external components and adjustments. The MAX6314 also provides a debounced manual reset input.

This device performs a single function: it asserts a reset signal whenever the V_{CC} supply voltage falls below a preset threshold or whenever manual reset is asserted. Reset remains asserted for an internally programmed interval (reset timeout period) after V_{CC} has risen above the reset threshold or manual reset is deasserted.

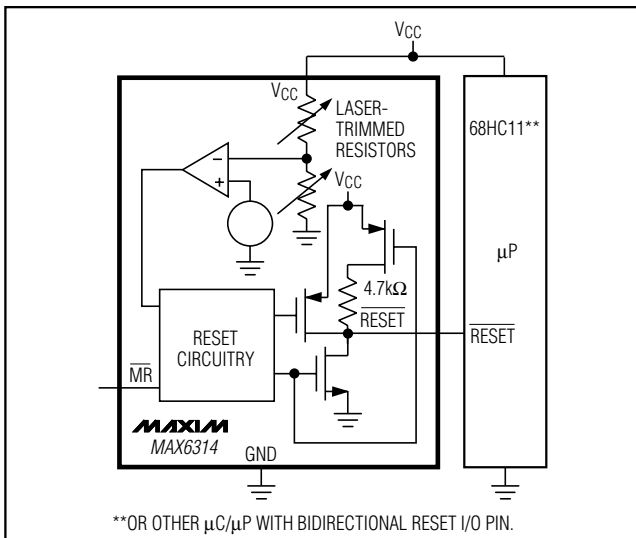
The MAX6314 comes with factory-trimmed reset threshold voltages in 100mV increments from 2.5V to 5V. Preset timeout periods of 1ms, 20ms, 140ms, and 1120ms (minimum) are also available. The device comes in a SOT143 package.

For a μ P supervisor with an open-drain reset pin, see the MAX6315 data sheet.

Applications

- Computers
- Controllers
- Intelligent Instruments
- Critical μ P and μ C Power Monitoring
- Portable/Battery-Powered Equipment

Typical Operating Circuit



Features

- ◆ Small SOT143 Package
- ◆ $\overline{\text{RESET}}$ Output Simplifies Interface to Bidirectional Reset I/Os
- ◆ Precision Factory-Set V_{CC} Reset Thresholds: 100mV Increments from 2.5V to 5V
- ◆ $\pm 1.8\%$ Reset Threshold Accuracy at $T_A = +25^\circ\text{C}$
- ◆ $\pm 2.5\%$ Reset Threshold Accuracy Over Temp.
- ◆ Four Reset Timeout Periods Available: 1ms, 20ms, 140ms, or 1120ms (minimum)
- ◆ Immune to Short V_{CC} Transients
- ◆ 5 μ A Supply Current
- ◆ Pin-Compatible with MAX811

Ordering Information

| PART [†] | NOMINAL V_{TH} (V) | MIN t_{RP} (ms) | TOP MARK ^{††} |
|-------------------|----------------------|-------------------|------------------------|
| MAX6314US50D1-T | 5.00 | 1 | AA_ _ |
| MAX6314US49D1-T | 4.90 | 1 | AB_ _ |
| MAX6314US48D1-T | 4.80 | 1 | AC_ _ |
| MAX6314US47D1-T | 4.70 | 1 | AD_ _ |
| MAX6314US46D1-T | 4.63 | 1 | AE_ _ |
| MAX6314US45D1-T | 4.50 | 1 | AF_ _ |

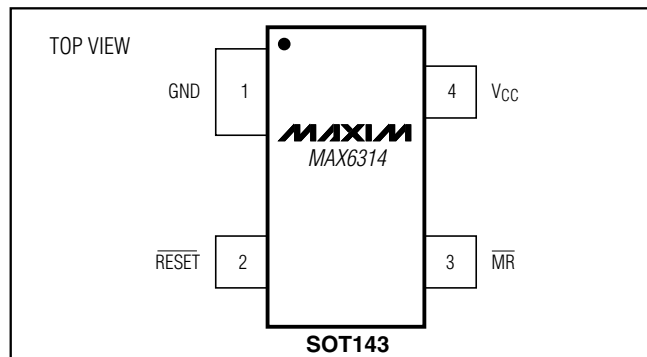
[†]The MAX6314 is available in a SOT143 package, -40°C to $+85^\circ\text{C}$ temperature range.

^{††}The first two letters in the package top mark identify the part, while the remaining two letters are the lot tracking code.

Devices are available in both leaded and lead-free packaging. Specify lead-free by replacing "-T" with "+T" when ordering.

Ordering Information continued at end of data sheet.

Pin Configuration



For pricing, delivery, and ordering information, please contact Maxim/Dallas Direct! at 1-888-629-4642, or visit Maxim's website at www.maxim-ic.com.

68HC11/Bidirectional-Compatible μP Reset Circuit

ABSOLUTE MAXIMUM RATINGS

| | |
|--|-----------------------------------|
| V _{CC} | -0.3V to +6.0V |
| All Other Pins | -0.3V to (V _{CC} + 0.3V) |
| Input Current (V _{CC}) | 20mA |
| Output Current (RESET) | 20mA |
| Rate of Rise (V _{CC}) | 100V/μs |

| | |
|---|-----------------|
| Continuous Power Dissipation (T _A = +70°C) SOT143 (derate 4mW/°C above +70°C) | 320mW |
| Operating Temperature Range | -40°C to +85°C |
| Storage Temperature Range | -65°C to +160°C |
| Lead Temperature (soldering, 10sec) | +300°C |

Stresses beyond those listed under "Absolute Maximum Ratings" may cause permanent damage to the device. These are stress ratings only, and functional operation of the device at these or any other conditions beyond those indicated in the operational sections of the specifications is not implied. Exposure to absolute maximum rating conditions for extended periods may affect device reliability.

ELECTRICAL CHARACTERISTICS

(V_{CC} = +2.5V to +5.5V, T_A = -40°C to +85°C, unless otherwise noted. Typical values are at T_A = +25°C.)

| PARAMETER | SYMBOL | CONDITIONS | MIN | TYP | MAX | UNITS |
|--|----------------------|--|---------------------------|-----------------|------------------------|--------|
| Operating Voltage Range | V _{CC} | T _A = 0°C to +70°C | 1.0 | | 5.5 | V |
| V _{CC} Supply Current | I _{CC} | V _{CC} = 5.5V, no load | | 5 | 12 | μA |
| | | V _{CC} = 3.6V, no load | | 4 | 10 | |
| Reset Threshold (Note 1) | V _{TH} | T _A = +25°C | V _{TH} - 1.8% | V _{TH} | V _{TH} + 1.8% | V |
| | | T _A = -40°C to +85°C | V _{TH} - 2.5% | | V _{TH} + 2.5% | |
| Reset Threshold Tempco | ΔV _{TH} /°C | | | 60 | | ppm/°C |
| V _{CC} to Reset Delay | | V _{CC} = falling at 1mV/μs | | 35 | | μs |
| Reset Timeout Period | t _{RP} | MAX6314US_ _D1-T | 1 | 1.4 | 2 | ms |
| | | MAX6314US_ _D2-T | 20 | 28 | 40 | |
| | | MAX6314US_ _D3-T | 140 | 200 | 280 | |
| | | MAX6314US_ _D4-T | 1120 | 1570 | 2240 | |
| MANUAL RESET INPUT | | | | | | |
| MR Input Threshold | V _{IL} | V _{TH} > 4.0V | 0.8 | | | V |
| | V _{IH} | | 2.4 | | | |
| | V _{IL} | V _{TH} < 4.0V | 0.3 × V _{CC} | | | |
| | V _{IH} | | 0.7 × V _{CC} | | | |
| MR Minimum Input Pulse | | | 1 | | | μs |
| MR Glitch Rejection | | | | 100 | | ns |
| MR to Reset Delay | | | | 500 | | ns |
| MR Pullup Resistance | | | 32 | 63 | 100 | kΩ |
| RESET Output Voltage | V _{OL} | V _{CC} > 4.25V, I _{SINK} = 3.2mA | | | 0.4 | V |
| | | V _{CC} > 2.5V, I _{SINK} = 1.2mA | | | 0.3 | |
| | | V _{CC} > 1.2V, I _{SINK} = 0.5mA | | | 0.3 | |
| | | V _{CC} > 1.0V, I _{SINK} = 80μA | | | 0.3 | |
| RESET INTERNAL PULLUP | | | | | | |
| Transition Flip-Flop Setup Time (Note 2) | t _S | | | 400 | | ns |
| Active Pullup Enable Threshold | | V _{CC} = 5V | 0.4 | | 0.9 | V |
| RESET Active Pullup Current | | V _{CC} = 5V | | 20 | | mA |
| RESET Pullup Resistance | | | 4.2 | 4.7 | 5.2 | kΩ |
| RESET Output Rise Time (Note 3) | t _R | V _{CC} = 3V | C _{LOAD} = 120pF | | 333 | ns |
| | | | C _{LOAD} = 250pF | | 666 | |
| | | V _{CC} = 5V | C _{LOAD} = 200pF | | 333 | |
| | | | C _{LOAD} = 400pF | | 666 | |

Note 1: The MAX6314 monitors V_{CC} through an internal, factory-trimmed voltage divider that programs the nominal reset threshold. Factory-trimmed reset thresholds are available in 100mV increments from 2.5V to 5V (see *Ordering and Marking Information*).

Note 2: This is the minimum time RESET must be held low by an external pull-down source to set the active pull-up flip-flop.

Note 3: Measured from RESET V_{OL} to (0.8 × V_{CC}), R_{LOAD} = ∞.

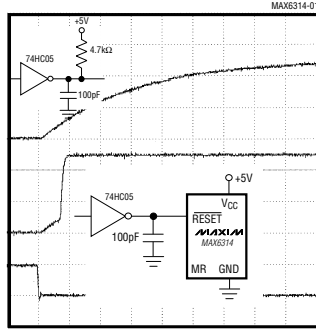
68HC11/Bidirectional-Compatible μ P Reset Circuit

Typical Operating Characteristics

($T_A = +25^\circ\text{C}$, unless otherwise noted.)

MAX6314

PULLUP CHARACTERISTICS



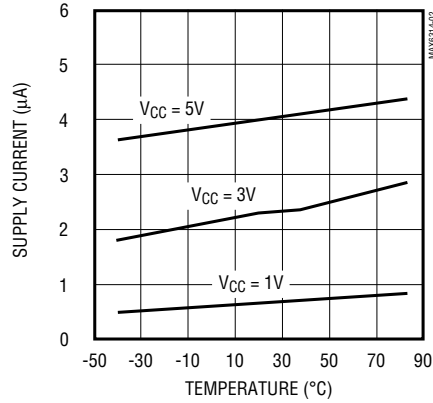
4.7k Ω PULL-UP
2V/div

MAX6314 PULL-UP
2V/div

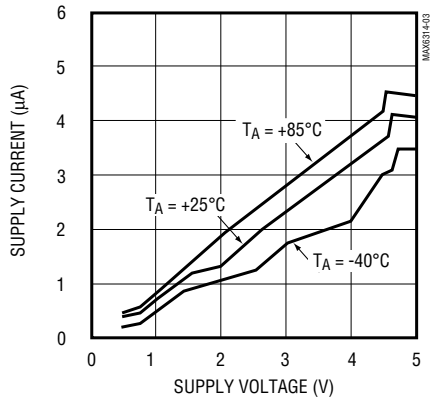
INPUT
5V/div

200ns/div

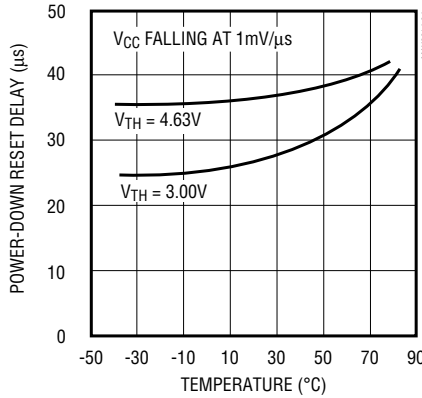
SUPPLY CURRENT vs. TEMPERATURE



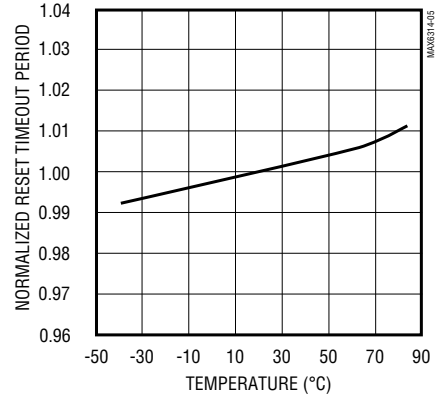
SUPPLY CURRENT vs. SUPPLY VOLTAGE



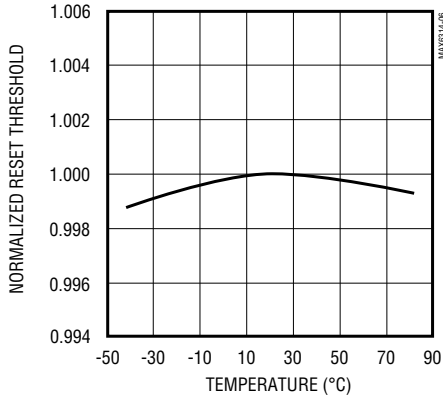
POWER-DOWN RESET DELAY vs. TEMPERATURE



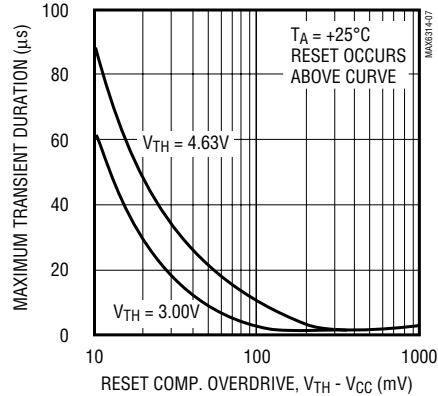
NORMALIZED RESET TIMEOUT PERIOD vs. TEMPERATURE (V_{CC} RISING)



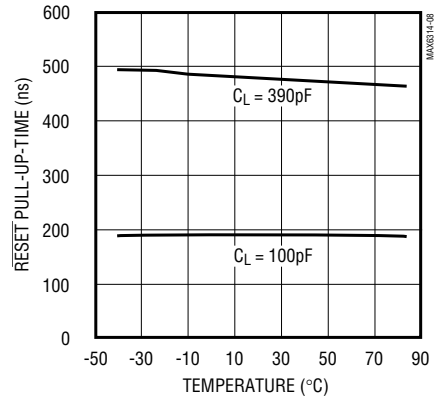
NORMALIZED RESET THRESHOLD vs. TEMPERATURE (V_{CC} FALLING)



MAXIMUM TRANSIENT DURATION vs. RESET COMP. OVERDRIVE



RESET PULL-UP TIME vs. TEMPERATURE



68HC11/Bidirectional-Compatible μ P Reset Circuit

Pin Description

| PIN | NAME | FUNCTION |
|-----|---------------------------|---|
| 1 | GND | Ground |
| 2 | $\overline{\text{RESET}}$ | Active-Low Complementary Output. In addition to the normal n-channel pulldown, $\overline{\text{RESET}}$ has a p-channel pullup transistor in parallel with a 4.7k Ω resistor to facilitate connection to μ Ps with bidirectional resets. See the <i>Reset Output</i> section. |
| 3 | $\overline{\text{MR}}$ | Manual Reset Input. A logic low on $\overline{\text{MR}}$ asserts reset. Reset remains asserted as long as $\overline{\text{MR}}$ is low, and for the reset timeout period (t_{RP}) after the reset conditions are terminated. Connect to V_{CC} if not used. |
| 4 | V_{CC} | Supply Voltage and Reset Threshold Monitor Input |

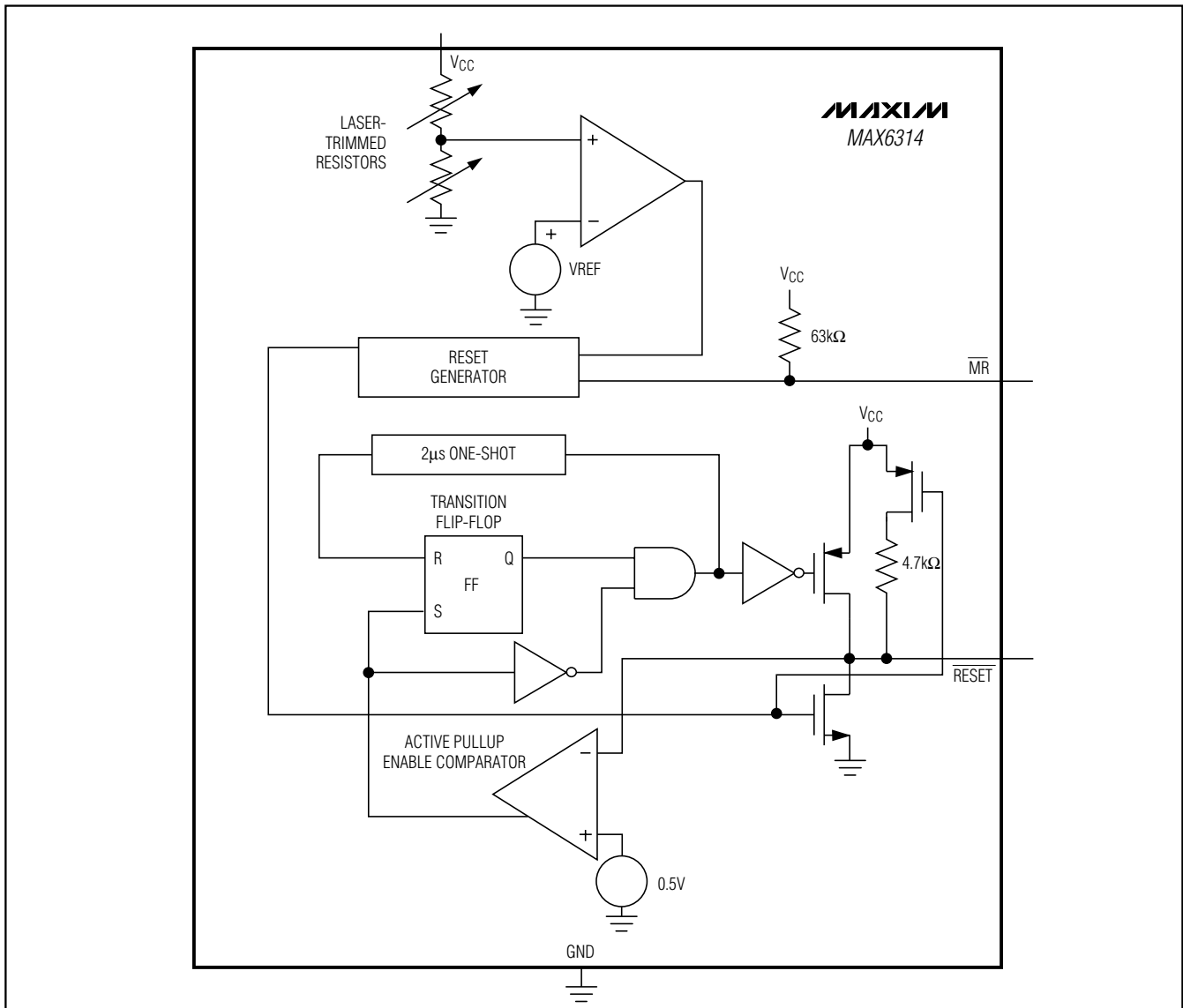


Figure 1. Functional Diagram

68HC11/Bidirectional-Compatible μ P Reset Circuit

Detailed Description

The MAX6314 has a reset output consisting of a 4.7k Ω pull-up resistor in parallel with a P-channel transistor and an N-channel pull down (Figure 1), allowing this IC to directly interface with microprocessors (μ Ps) that have bidirectional reset pins (see the *Reset Output* section).

Reset Output

A μ P's reset input starts the μ P in a known state. The MAX6314 asserts reset to prevent code-execution errors during power-up, power-down, or brownout conditions. $\overline{\text{RESET}}$ is guaranteed to be a logic low for $V_{CC} > 1\text{V}$ (see the *Electrical Characteristics* table). Once V_{CC} exceeds the reset threshold, the internal timer keeps reset asserted for the reset timeout period (t_{RP}); after this interval $\overline{\text{RESET}}$ goes high. If a brownout condition occurs (monitored voltage dips below its programmed reset threshold), $\overline{\text{RESET}}$ goes low. Any time V_{CC} dips below the reset threshold, the internal timer resets to zero and $\overline{\text{RESET}}$ goes low. The internal timer starts when V_{CC} returns above the reset threshold, and $\overline{\text{RESET}}$ remains low for the reset timeout period.

The MAX6314's $\overline{\text{RESET}}$ output is designed to interface with μ Ps that have bidirectional reset pins, such as the Motorola 68HC11. Like an open-drain output, the MAX6314 allows the μ P or other devices to pull $\overline{\text{RESET}}$ low and assert a reset condition. However, unlike a standard open-drain output, it includes the commonly specified 4.7k Ω pullup resistor with a P-channel active pullup in parallel.

This configuration allows the MAX6314 to solve a problem associated with μ Ps that have bidirectional reset pins in systems where several devices connect to $\overline{\text{RESET}}$. These μ Ps can often determine if a reset was asserted by an external device (i.e., the supervisor IC) or by the μ P itself (due to a watchdog fault, clock error, or other source), and then jump to a vector appropriate for the source of the reset. However, if the μ P does assert reset, it does not retain the information, but must determine the cause after the reset has occurred.

The following procedure describes how this is done with the Motorola 68HC11. In all cases of reset, the μ P pulls $\overline{\text{RESET}}$ low for about four E-clock cycles. It then releases $\overline{\text{RESET}}$, waits for two E-clock cycles, then checks $\overline{\text{RESET}}$'s state. If $\overline{\text{RESET}}$ is still low, the μ P concludes that the source of the reset was external and, when $\overline{\text{RESET}}$ eventually reaches the high state, jumps to the normal reset vector. In this case, stored state information is erased and processing begins from

scratch. If, on the other hand, $\overline{\text{RESET}}$ is high after the two E-clock cycle delay, the processor knows that it caused the reset itself and can jump to a different vector and use stored state information to determine what caused the reset.

The problem occurs with faster μ Ps; two E-clock cycles is only 500ns at 4MHz. When there are several devices on the reset line, the input capacitance and stray capacitance can prevent $\overline{\text{RESET}}$ from reaching the logic-high state ($0.8 \times V_{CC}$) in the allowed time if only a passive pullup resistor is used. In this case, all resets will be interpreted as external. The μ P is guaranteed to sink only 1.6mA, so the rise time cannot be much reduced by decreasing the recommended 4.7k Ω pullup resistance.

The MAX6314 solves this problem by including a pullup transistor in parallel with the recommended 4.7k Ω resistor (Figure 1). The pullup resistor holds the output high until $\overline{\text{RESET}}$ is forced low by the μ P reset I/O, or by the MAX6314 itself. Once $\overline{\text{RESET}}$ goes below 0.5V, a comparator sets the transition edge flip-flop, indicating that the next transition for $\overline{\text{RESET}}$ will be low to high. As soon as $\overline{\text{RESET}}$ is released, the 4.7k Ω resistor pulls $\overline{\text{RESET}}$ up toward V_{CC} . When $\overline{\text{RESET}}$ rises above 0.5V, the active p-channel pullup turns on for the 2 μ s duration of the one-shot. The parallel combination of the 4.7k Ω pullup and the p-channel transistor on-resistance quickly charges stray capacitance on the reset line, allowing $\overline{\text{RESET}}$ to transition low to high within the required two E-clock period, even with several devices on the reset line (Figure 2). Once the one-shot times out, the p-channel transistor turns off. This process occurs regardless of whether the reset was caused by V_{CC} dipping below the reset threshold, $\overline{\text{MR}}$ being asserted, or the μ P or other device asserting $\overline{\text{RESET}}$. Because the MAX6314 includes the standard 4.7k Ω pullup resistor, no external pullup resistor is required. To minimize current consumption, the internal pullup resistor is disconnected whenever the MAX6314 asserts $\overline{\text{RESET}}$.

Manual Reset Input

Many μ P-based products require manual reset capability, allowing the operator, a test technician, or external logic circuitry to initiate a reset. A logic low on $\overline{\text{MR}}$ asserts reset. Reset remains asserted while $\overline{\text{MR}}$ is low, and for the reset active timeout period after $\overline{\text{MR}}$ returns high. To minimize current consumption, the internal 4.7k Ω pullup resistor on $\overline{\text{RESET}}$ is disconnected whenever $\overline{\text{RESET}}$ is asserted.

68HC11/Bidirectional-Compatible μ P Reset Circuit

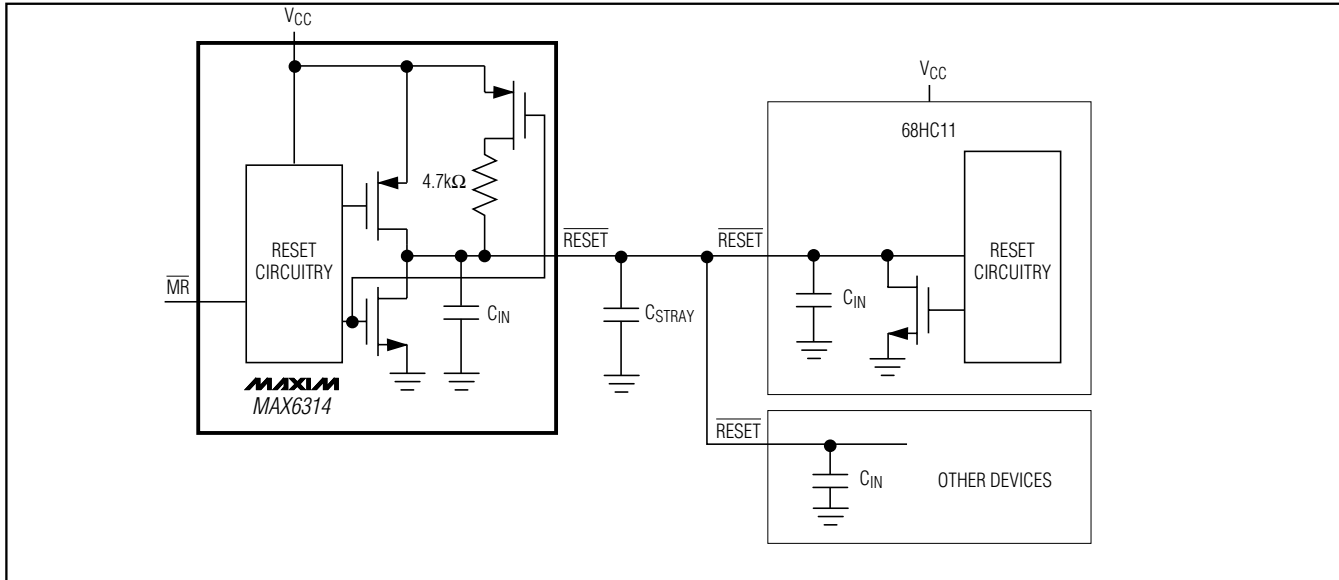


Figure 2. MAX6314 Supports Additional Devices on the Reset Bus

$\overline{\text{MR}}$ has an internal 63k Ω pullup resistor, so it can be left open if not used. Connect a normally open momentary switch from $\overline{\text{MR}}$ to GND to create a manual reset function; external debounce circuitry is not required. If $\overline{\text{MR}}$ is driven from long cables or if the device is used in a noisy environment, connecting a 0.1 μ F capacitor from $\overline{\text{MR}}$ to ground provides additional noise immunity.

Applications Information

Negative-Going VCC Transients

In addition to issuing a reset to the μ P during power-up, power-down, and brownout conditions, these devices are relatively immune to short-duration negative-going transients (glitches). The *Typical Operating Characteristics* show the Maximum Transient Duration vs. Reset Threshold Overdrive, for which reset pulses are not generated. The graph was produced using negative-going pulses, starting at $V_{\text{RST max}}$ and ending below the programmed reset threshold by the magnitude indicated (reset threshold overdrive). The graph shows the maximum pulse width that a negative-going VCC transient may typically have without causing a reset pulse to be issued. As the amplitude of the transient increases (i.e., goes farther below the reset threshold), the maximum allowable pulse width decreases. A 0.1 μ F bypass capacitor mounted close to VCC provides additional transient immunity.

Ensuring a Valid $\overline{\text{RESET}}$ Output Down to VCC = 0V

When VCC falls below 1V, $\overline{\text{RESET}}$ no longer sinks current—it becomes an open circuit. Therefore, high-impedance CMOS-logic inputs connected to $\overline{\text{RESET}}$ can drift to undetermined voltages. This presents no problem in most applications, since most μ P and other circuitry is inoperative with VCC below 1V. However, in applications where $\overline{\text{RESET}}$ must be valid down to VCC = 0V, adding a pull-down resistor to $\overline{\text{RESET}}$ will cause any stray leakage currents to flow to ground, holding $\overline{\text{RESET}}$ low (Figure 3). R1's value is not critical; 100k Ω is large enough not to load $\overline{\text{RESET}}$ and small enough to pull $\overline{\text{RESET}}$ to ground.

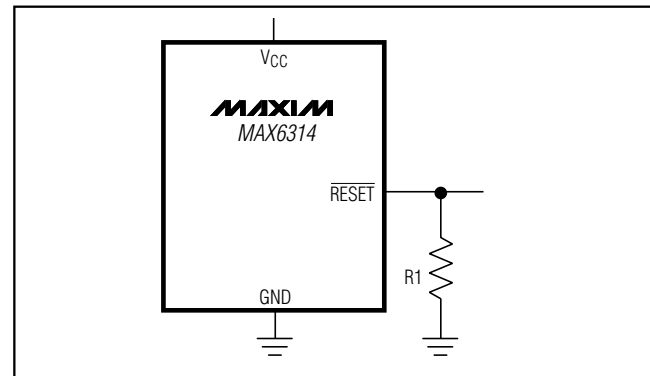


Figure 3. $\overline{\text{RESET}}$ Valid to VCC = Ground Circuit

68HC11/Bidirectional-Compatible μ P Reset Circuit

MAX6314

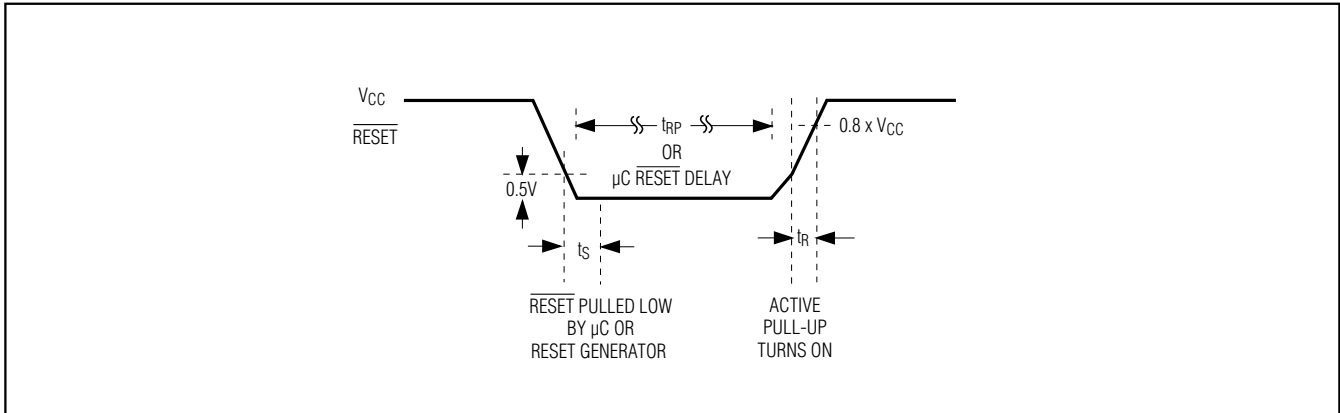


Figure 4. RESET Timing Diagram

Ordering Information (continued)

| PART† | NOMINAL V _{TH} (V) | MIN t _{RP} (ms) | TOP MARK†† |
|---------------------------|-----------------------------|--------------------------|------------|
| MAX6314US44D1-T††† | 4.39 | 1 | AG_ _ |
| MAX6314US43D1-T | 4.30 | 1 | AH_ _ |
| MAX6314US42D1-T | 4.20 | 1 | AI_ _ |
| MAX6314US41D1-T | 4.10 | 1 | AJ_ _ |
| MAX6314US40D1-T | 4.00 | 1 | AK_ _ |
| MAX6314US39D1-T | 3.90 | 1 | AL_ _ |
| MAX6314US38D1-T | 3.80 | 1 | CA_ _ |
| MAX6314US37D1-T | 3.70 | 1 | CB_ _ |
| MAX6314US36D1-T | 3.60 | 1 | CC_ _ |
| MAX6314US35D1-T | 3.50 | 1 | CD_ _ |
| MAX6314US34D1-T | 3.40 | 1 | CE_ _ |
| MAX6314US33D1-T | 3.30 | 1 | CF_ _ |
| MAX6314US32D1-T | 3.20 | 1 | CG_ _ |
| MAX6314US31D1-T | 3.08 | 1 | CH_ _ |
| MAX6314US30D1-T | 3.00 | 1 | CI_ _ |
| MAX6314US29D1-T | 2.93 | 1 | CJ_ _ |
| MAX6314US28D1-T | 2.80 | 1 | CK_ _ |
| MAX6314US27D1-T | 2.70 | 1 | CL_ _ |
| MAX6314US26D1-T††† | 2.63 | 1 | CM_ _ |

| PART† | NOMINAL V _{TH} (V) | MIN t _{RP} (ms) | TOP MARK†† |
|---------------------------|-----------------------------|--------------------------|------------|
| MAX6314US25D1-T | 2.50 | 1 | CN_ _ |
| MAX6314US50D2-T | 5.00 | 20 | CO_ _ |
| MAX6314US49D2-T | 4.90 | 20 | CP_ _ |
| MAX6314US48D2-T | 4.80 | 20 | CQ_ _ |
| MAX6314US47D2-T | 4.70 | 20 | CR_ _ |
| MAX6314US46D2-T | 4.63 | 20 | CS_ _ |
| MAX6314US45D2-T | 4.50 | 20 | CT_ _ |
| MAX6314US44D2-T††† | 4.39 | 20 | CU_ _ |
| MAX6314US43D2-T | 4.30 | 20 | CV_ _ |
| MAX6314US42D2-T | 4.20 | 20 | CW_ _ |
| MAX6314US41D2-T | 4.10 | 20 | CX_ _ |
| MAX6314US40D2-T | 4.00 | 20 | CY_ _ |
| MAX6314US39D2-T | 3.90 | 20 | CZ_ _ |
| MAX6314US38D2-T | 3.80 | 20 | DA_ _ |
| MAX6314US37D2-T | 3.70 | 20 | DB_ _ |
| MAX6314US36D2-T | 3.60 | 20 | DC_ _ |
| MAX6314US35D2-T | 3.50 | 20 | DD_ _ |
| MAX6314US34D2-T | 3.40 | 20 | DE_ _ |
| MAX6314US33D2-T | 3.30 | 20 | DJ_ _ |

† The MAX6314 is available in a SOT143 package, -40°C to +85°C temperature range.

†† The first two letters in the package top mark identify the part, while the remaining two letters are the lot tracking code.

††† Sample stocks generally held on the bolded products; also, the bolded products have 2,500 piece minimum-order quantities. Non-bolded products have 10,000 piece minimum-order quantities. Contact factory for details.

Devices are available in both leaded and lead-free packaging. Specify lead-free by replacing "-T" with "+T" when ordering.

Note: All devices available in tape-and-reel only. Contact factory for availability.

68HC11/Bidirectional-Compatible μP Reset Circuit

Ordering and Marking Information (continued)

| PART† | NOMINAL V _{TH} (V) | MIN t _{RP} (ms) | TOP MARK‡‡ |
|---------------------------|--------------------------------|-----------------------------|---------------|
| MAX6314US32D2-T | 3.20 | 20 | DK__ |
| MAX6314US31D2-T | 3.08 | 20 | DL__ |
| MAX6314US30D2-T | 3.00 | 20 | DM__ |
| MAX6314US29D2-T | 2.93 | 20 | DN__ |
| MAX6314US28D2-T | 2.80 | 20 | DO__ |
| MAX6314US27D2-T | 2.70 | 20 | DP__ |
| MAX6314US26D2-T††† | 2.63 | 20 | DQ__ |
| MAX6314US25D2-T | 2.50 | 20 | DR__ |
| MAX6314US50D3-T | 5.00 | 140 | DS__ |
| MAX6314US49D3-T | 4.90 | 140 | DT__ |
| MAX6314US48D3-T | 4.80 | 140 | DU__ |
| MAX6314US47D3-T | 4.70 | 140 | DV__ |
| MAX6314US46D3-T††† | 4.63 | 140 | DW__ |
| MAX6314US45D3-T | 4.50 | 140 | DX__ |
| MAX6314US44D3-T††† | 4.39 | 140 | DY__ |
| MAX6314US43D3-T | 4.30 | 140 | DZ__ |
| MAX6314US42D3-T | 4.20 | 140 | EA__ |
| MAX6314US41D3-T | 4.10 | 140 | EB__ |
| MAX6314US40D3-T | 4.00 | 140 | EC__ |
| MAX6314US39D3-T | 3.90 | 140 | EG__ |
| MAX6314US38D3-T | 3.80 | 140 | EH__ |
| MAX6314US37D3-T | 3.70 | 140 | EI__ |
| MAX6314US36D3-T | 3.60 | 140 | EJ__ |
| MAX6314US35D3-T | 3.50 | 140 | EK__ |
| MAX6314US34D3-T | 3.40 | 140 | EL__ |
| MAX6314US33D3-T | 3.30 | 140 | EM__ |
| MAX6314US32D3-T | 3.20 | 140 | EN__ |
| MAX6314US31D3-T††† | 3.08 | 140 | EO__ |
| MAX6314US30D3-T | 3.00 | 140 | EP__ |
| MAX6314US29D3-T††† | 2.93 | 140 | ES__ |

| PART† | NOMINAL V _{TH} (V) | MIN t _{RP} (ms) | TOP MARK‡‡ |
|---------------------------|--------------------------------|-----------------------------|---------------|
| MAX6314US28D3-T | 2.80 | 140 | ET__ |
| MAX6314US27D3-T | 2.70 | 140 | EU__ |
| MAX6314US26D3-T††† | 2.63 | 140 | EV__ |
| MAX6314US25D3-T | 2.50 | 140 | EW__ |
| MAX6314US50D4-T | 5.00 | 1120 | EX__ |
| MAX6314US49D4-T | 4.90 | 1120 | EY__ |
| MAX6314US48D4-T | 4.80 | 1120 | EZ__ |
| MAX6314US47D4-T | 4.70 | 1120 | FA__ |
| MAX6314US46D4-T | 4.63 | 1120 | FB__ |
| MAX6314US45D4-T | 4.50 | 1120 | FC__ |
| MAX6314US44D4-T††† | 4.39 | 1120 | FD__ |
| MAX6314US43D4-T | 4.30 | 1120 | FE__ |
| MAX6314US42D4-T | 4.20 | 1120 | FF__ |
| MAX6314US41D4-T | 4.10 | 1120 | FG__ |
| MAX6314US40D4-T | 4.00 | 1120 | FH__ |
| MAX6314US39D4-T | 3.90 | 1120 | FI__ |
| MAX6314US38D4-T | 3.80 | 1120 | FJ__ |
| MAX6314US37D4-T | 3.70 | 1120 | FK__ |
| MAX6314US36D4-T | 3.60 | 1120 | FL__ |
| MAX6314US35D4-T | 3.50 | 1120 | FM__ |
| MAX6314US34D4-T | 3.40 | 1120 | FN__ |
| MAX6314US33D4-T | 3.30 | 1120 | FO__ |
| MAX6314US32D4-T | 3.20 | 1120 | FP__ |
| MAX6314US31D4-T | 3.08 | 1120 | FQ__ |
| MAX6314US30D4-T | 3.00 | 1120 | FR__ |
| MAX6314US29D4-T | 2.93 | 1120 | FS__ |
| MAX6314US28D4-T | 2.80 | 1120 | FT__ |
| MAX6314US27D4-T | 2.70 | 1120 | FU__ |
| MAX6314US26D4-T††† | 2.63 | 1120 | FV__ |
| MAX6314US25D4-T | 2.50 | 1120 | FW__ |

† The MAX6314 is available in a SOT143 package, -40°C to +85°C temperature range.

‡‡ The first two letters in the package top mark identify the part, while the remaining two letters are the lot tracking code.

‡‡‡ Sample stocks generally held on the bolded products; also, the bolded products have 2,500 piece minimum-order quantities.

Non-bolded products have 10,000 piece minimum-order quantities. Contact factory for details.

Devices are available in both leaded and lead-free packaging. Specify lead-free by replacing "-T" with "+T" when ordering.

Note: All devices available in tape-and-reel only. Contact factory for availability.

Chip Information

TRANSISTOR COUNT: 519

Maxim cannot assume responsibility for use of any circuitry other than circuitry entirely embodied in a Maxim product. No circuit patent licenses are implied. Maxim reserves the right to change the circuitry and specifications without notice at any time.

8 **Maxim Integrated Products, 120 San Gabriel Drive, Sunnyvale, CA 94086 408-737-7600**

© 2005 Maxim Integrated Products

Printed USA

MAXIM is a registered trademark of Maxim Integrated Products, Inc.

Package Information

For the latest package outline information, go to
www.maxim-ic.com/packages.

www.s-manuals.com