

## Surface Mount Switching Diode

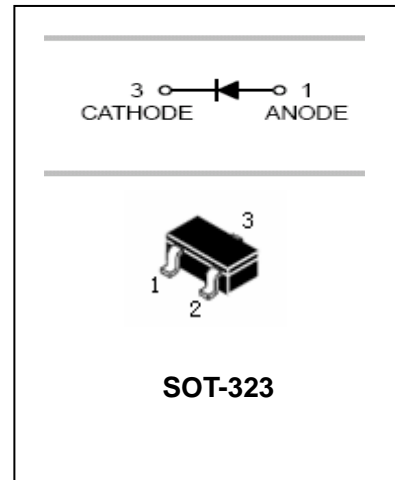
## MMBD4448W

### FEATURES

- Fast switching speed.
- High conductance.
- For general purpose switching applications.
- Surface mount package ideally suited for automatic insertion.



Lead-free



### APPLICATIONS

- For general purpose switching applications.

### ORDERING INFORMATION

Type No.	Marking	Package Code
MMBD4448W	KA3	SOT-323

### MAXIMUM RATING @ Ta=25°C unless otherwise specified

Parameter	Symbol	Limits	Unit
Non-Repetitive Peak reverse voltage	$V_{RM}$	100	V
Diode reverse voltage	$V_R$	75	V
Forward continuous Current	$I_F$	500	mA
Average output current	$I_O$	250	mA
Forward Surge Current	$I_{FS}$	4.0 2.0	A
	$t=1\mu S$ $t=1.0s$		
Power Dissipation	$P_d$	200	mW
Junction temperature	$T_j$	150	°C
Storage temperature range	$T_{stg}$	-65-+150	°C

### ELECTRICAL CHARACTERISTICS @ Ta=25°C unless otherwise specified

## Surface Mount Switching Diode

## MMBD4448W

Parameter	Symbol	Test conditions	MIN	MAX	UNIT
Reverse breakdown voltage	$V_{(BR)R}$	$I_R = 100\mu A$	75		V
Reverse voltage leakage current	$I_R$	$V_R = 75V$ $V_R = 20V$		2.5 25	$\mu A$ nA
Forward voltage	$V_F$	$I_F = 5mA$ $I_F = 10mA$ $I_F = 100mA$ $I_F = 150mA$		720 855 1000 1250	mV
Diode capacitance	$C_D$	$V_R = 0V$ $f = 1MHz$		4	pF
Reverse recovery time	$t_{rr}$	$I_F = I_R = 10mA$ $R_L = 100\Omega$		4	nS

### TYPICAL CHARACTERISTICS @ $T_a = 25^\circ C$ unless otherwise specified

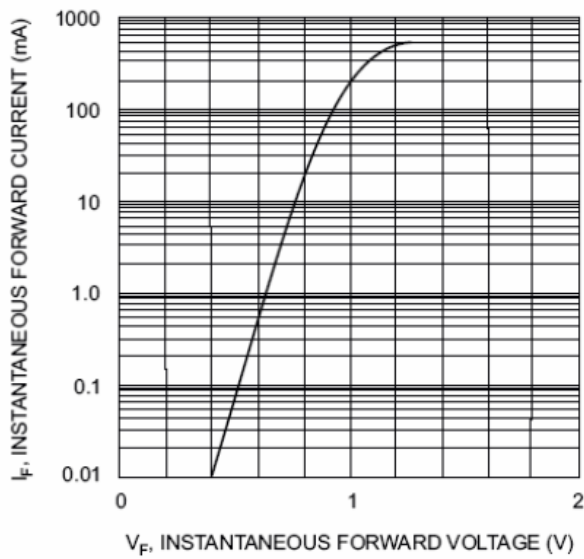


Fig. 1 Forward Characteristics

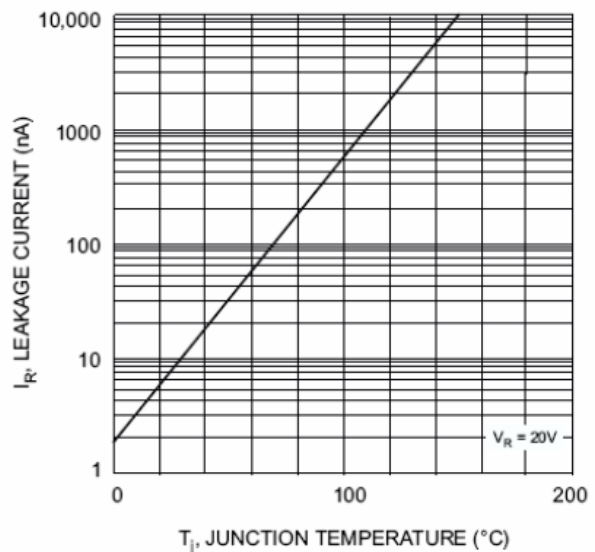


Fig. 2 Leakage Current vs Junction Temperature

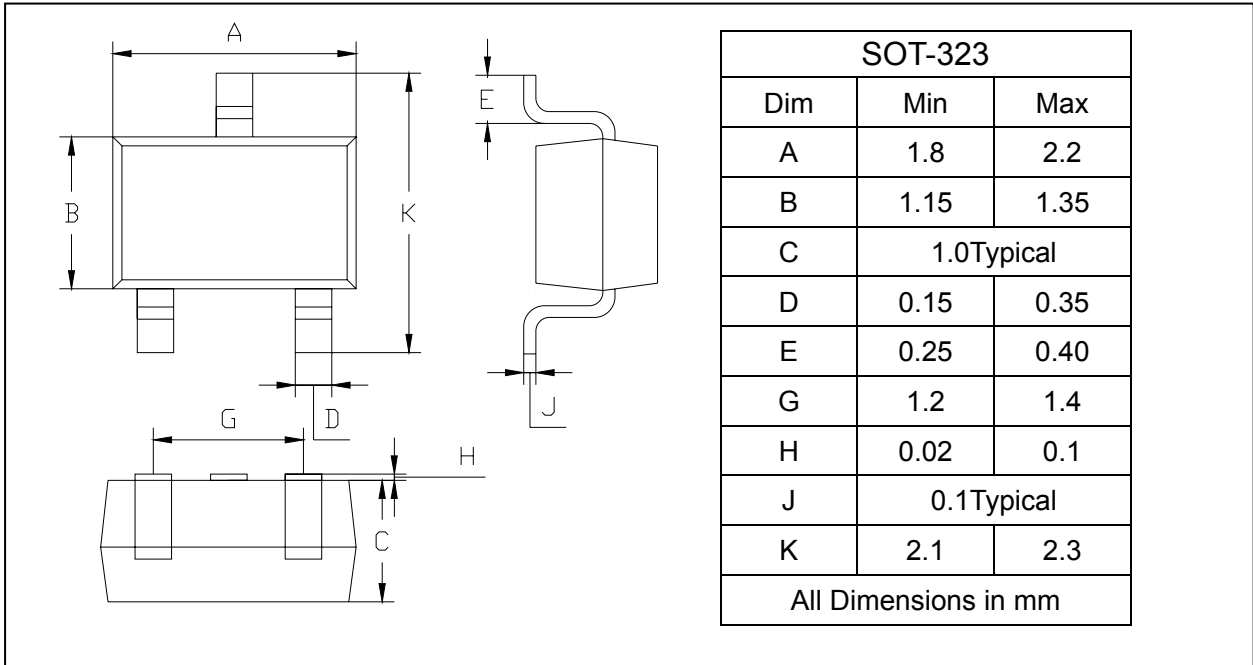
## Surface Mount Switching Diode

## MMBD4448W

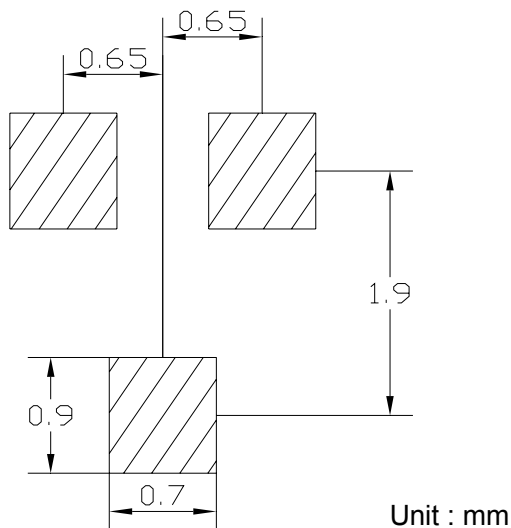
### PACKAGE OUTLINE

Plastic surface mounted package

SOT-323



### SOLDERING FOOTPRINT



### PACKAGE INFORMATION

Device	Package	Shipping
MMBD4448W	SOT-323	3000/Tape&Reel

[www.s-manuals.com](http://www.s-manuals.com)