

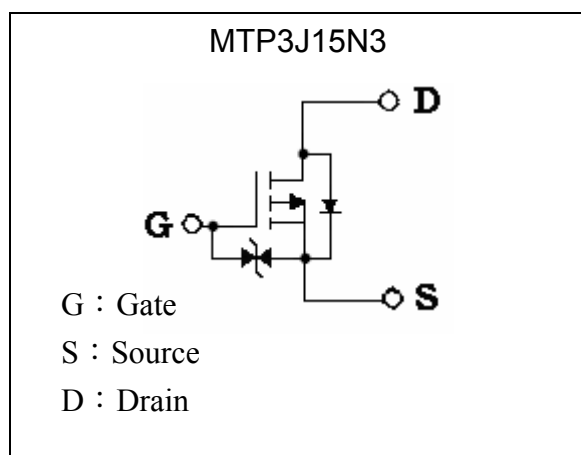
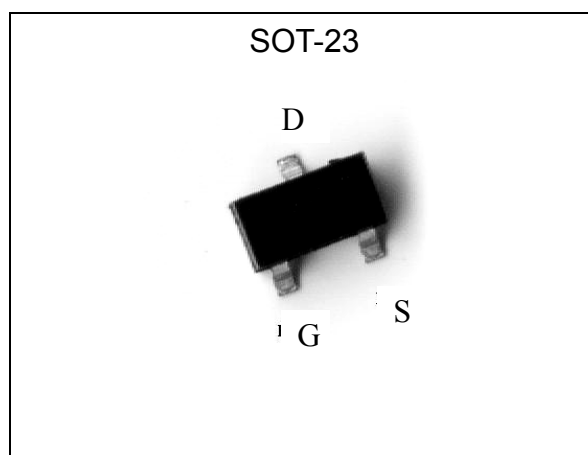
50V P-CHANNEL Enhancement Mode MOSFET

MTP3J15N3

BV_{DSS}	-50V
I_D	-130mA
$R_{DS(on)}@V_{GS}=-10V, I_D=-100mA$	4.5 Ω (typ)
$R_{DS(on)}@V_{GS}=-5V, I_D=-100mA$	6 Ω (typ)

Features

- Low gate charge
- Excellent thermal and electrical capabilities
- Pb-free package

Equivalent Circuit

Outline

Absolute Maximum Ratings ($T_j=25^\circ\text{C}$, unless otherwise noted)

Parameter	Symbol	Limits	Unit
Drain-Source Voltage	V_{DS}	-50	V
Gate-Source Voltage	V_{GS}	± 20	V
Continuous Drain Current @ $T_A=25^\circ\text{C}$, $V_{GS}=-5V$	I_D	-130	mA
Pulsed Drain Current (Note 1)	I_{DM}	-520	mA
Maximum Power Dissipation @ $T_A=25^\circ\text{C}$	P_D	225	mW
Thermal Resistance, Junction-to-Ambient	$R_{th,ja}$	556	$^\circ\text{C}/\text{W}$
Maximum Lead Temperature for Soldering Purpose, 10 s	T_L	260	$^\circ\text{C}$
Operating Junction and Storage Temperature	T_j, T_{stg}	-55~+150	$^\circ\text{C}$

 Note : 1. Pulse width $\leq 10\mu\text{s}$, duty cycle $\leq 2\%$.



Electrical Characteristics (Tj=25°C, unless otherwise specified)

Symbol	Min.	Typ.	Max.	Unit	Test Conditions
Static					
BV _{DSS}	-50	-	-	V	V _{GS} =0V, I _D =-250μA
V _{GS(th)}	-1	-1.4	-2	V	V _{DS} =V _{GS} , I _D =-1mA
G _{FS}	100	-	-	mS	V _{DS} =-15V, I _D =-100mA
I _{GSS}	-	-	±10	μA	V _{GS} =±20V, V _{DS} =0
I _{DSS}	-	-	-0.1	μA	V _{DS} =-25V, V _{GS} =0
	-	-	-1		V _{DS} =-50V, V _{GS} =0
	-	-	-25		V _{DS} =-50V, V _{GS} =0, Tj=125°C
*R _{DS(ON)}	-	6	10	Ω	V _{GS} =-5V, I _D =-100mA
	-	5	8		V _{GS} =-10V, I _D =-100mA
Dynamic					
C _{iSS}	-	25	-	pF	V _{DS} =-5V, V _{GS} =0, f=1MHz
C _{oSS}	-	7	-		
C _{rSS}	-	2	-		
*t _{d(ON)}	-	2.5	-	ns	V _{DS} =-15V, I _D =-100mA, V _{GS} =-5V, R _G =3.3Ω
*t _r	-	2	-		
*t _{d(OFF)}	-	7.3	-		
*t _f	-	3	-		
*Q _g	-	1.2	-	nC	V _{DS} =-40V, I _D =-500mA, V _{GS} =-5V
Source-Drain Diode					
*I _S	-	-	-130	mA	
*I _{SM}	-	-	-520		
*V _{SD}	-	-0.85	-1.2	V	V _{GS} =0V, I _S =-130mA

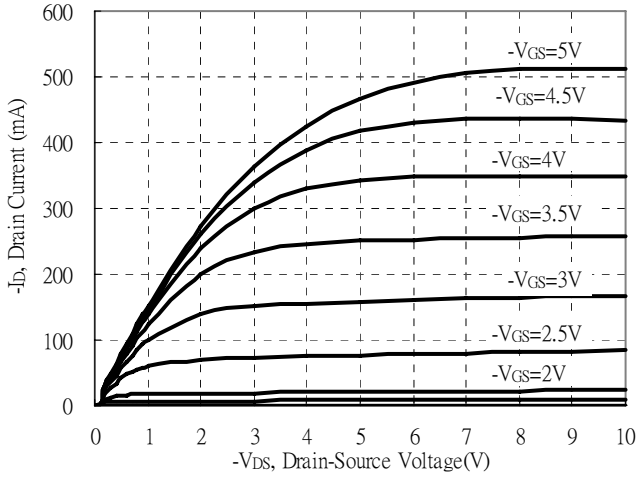
*Pulse Test : Pulse Width ≤300μs, Duty Cycle≤2%

Ordering Information

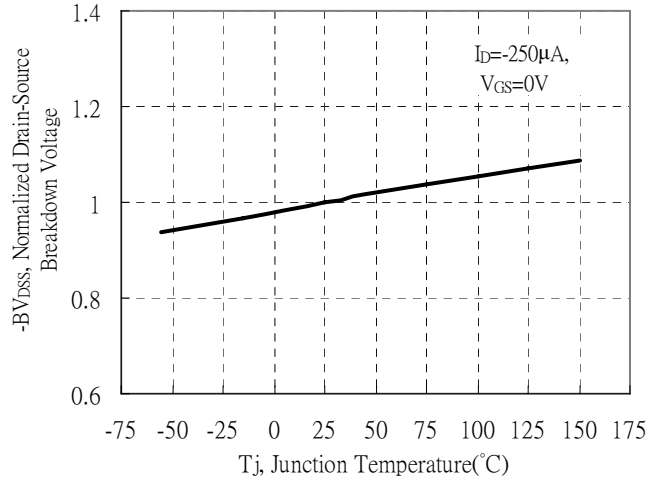
Device	Package	Shipping	Marking
MTP3J15N3	SOT-23 (Pb-free)	3000 pcs / Tape & Reel	PD

Typical Characteristics

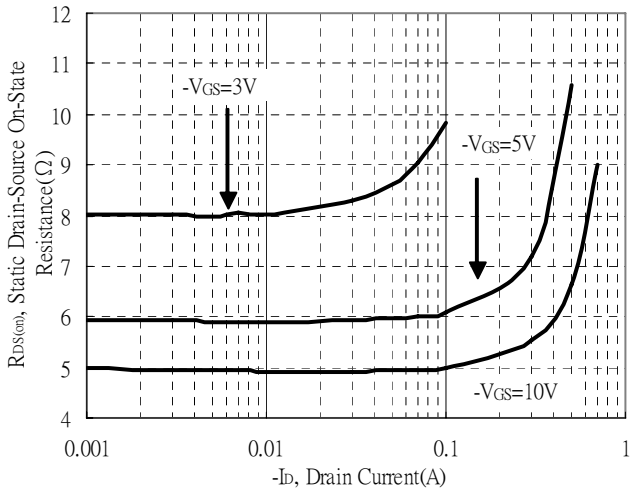
Typical Output Characteristics



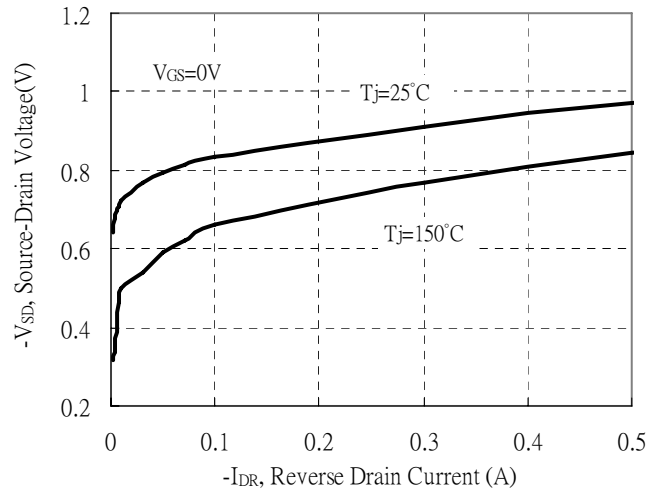
Breakdown Voltage vs Ambient Temperature



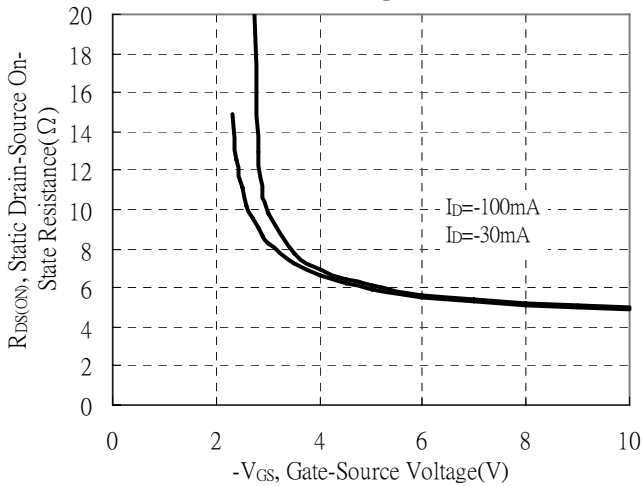
Static Drain-Source On-State resistance vs Drain Current



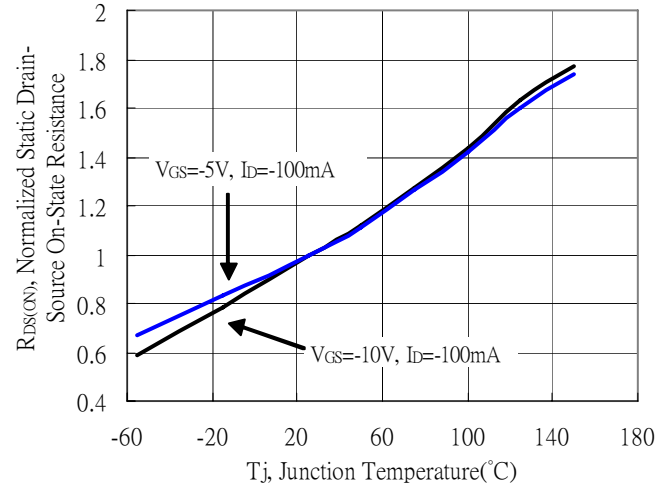
Reverse Drain Current vs Source-Drain Voltage



Static Drain-Source On-State Resistance vs Gate-Source Voltage

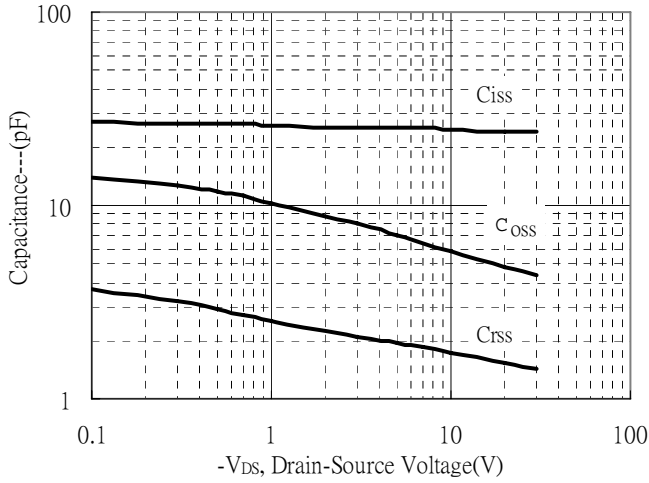


Drain-Source On-State Resistance vs Junction Temperature

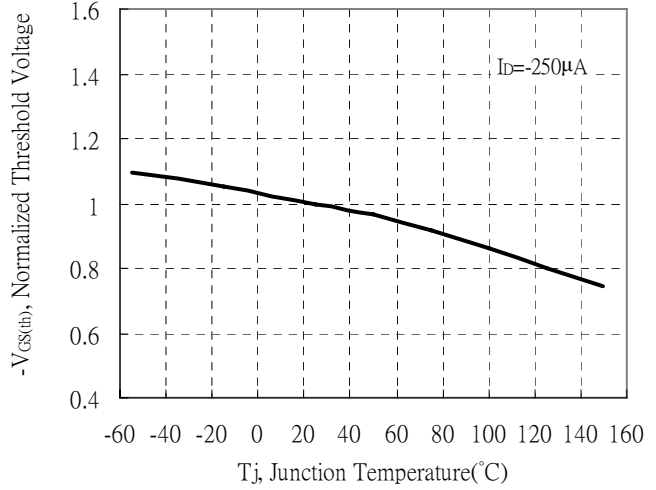


Typical Characteristics(Cont.)

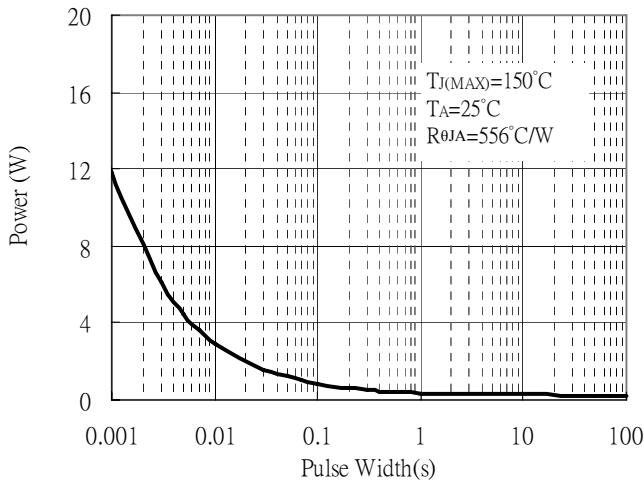
Capacitance vs Drain-to-Source Voltage



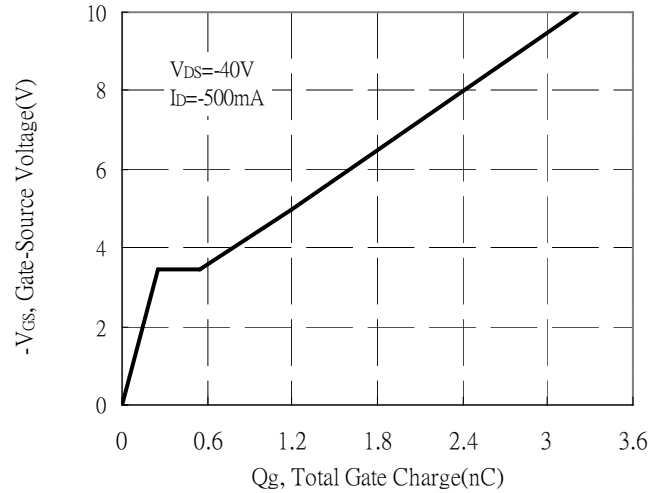
Threshold Voltage vs Junction Temperature



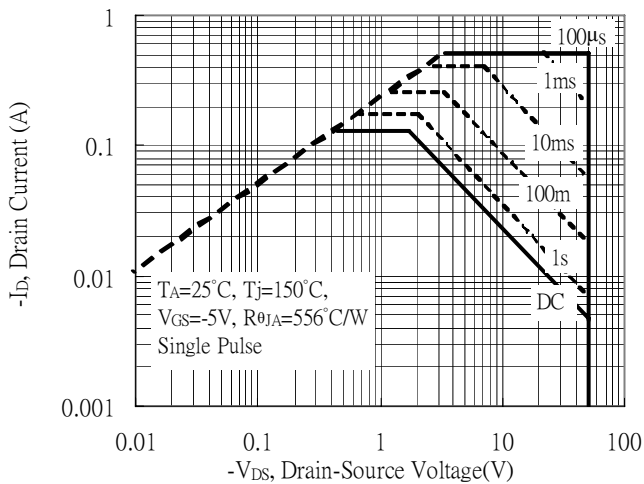
Single Pulse Power Rating, Junction to Ambient
 (Note on page 2)



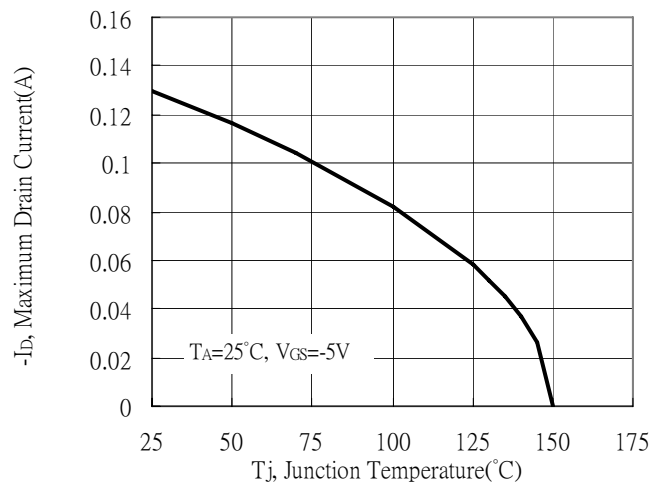
Gate Charge Characteristics



Maximum Safe Operating Area

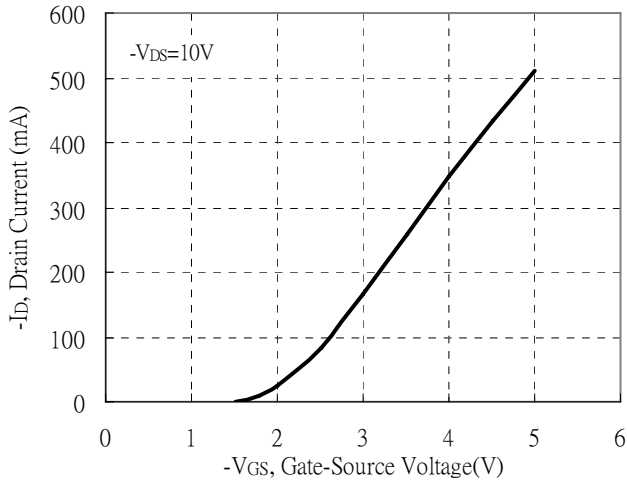


Maximum Drain Current vs Junction Temperature

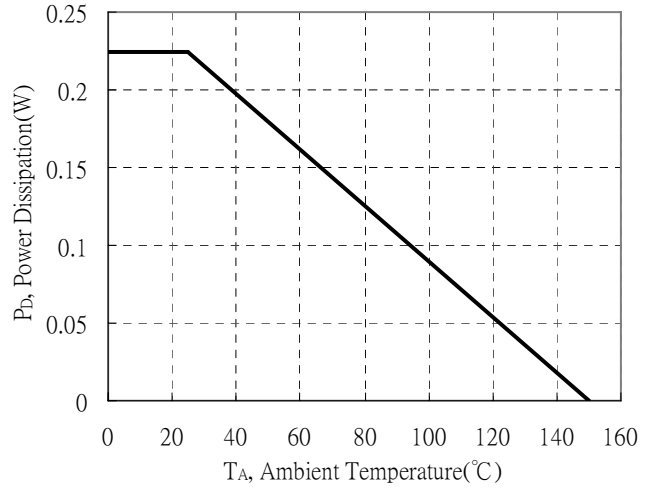


Typical Characteristics(Cont.)

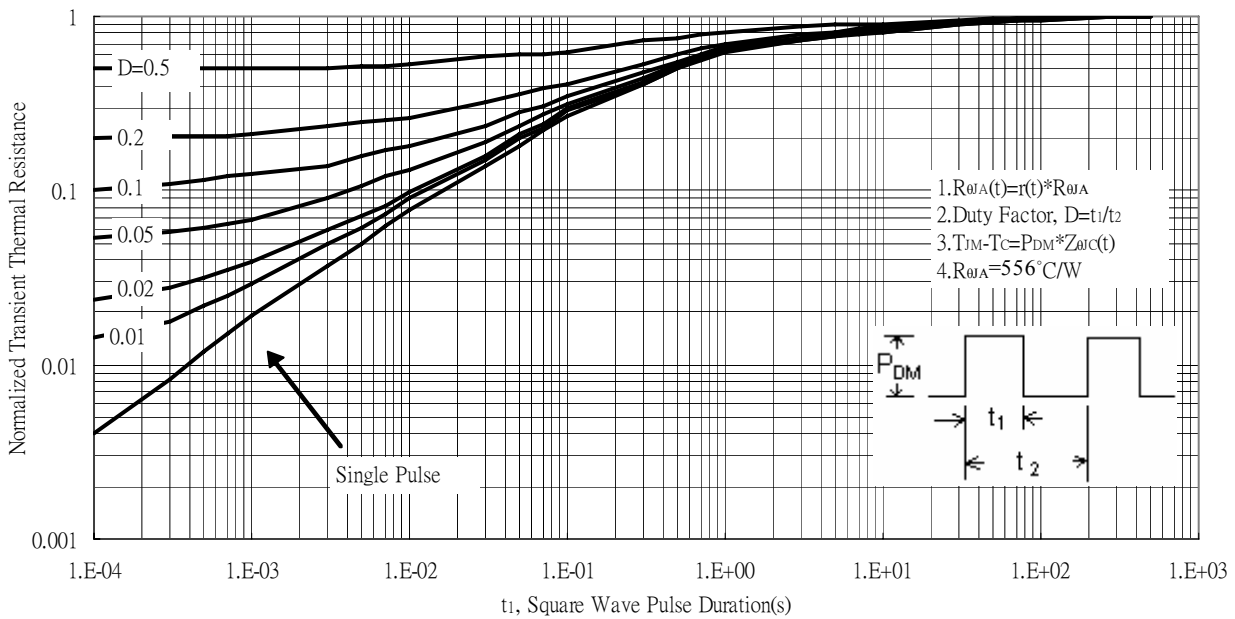
Typical Transfer Characteristics



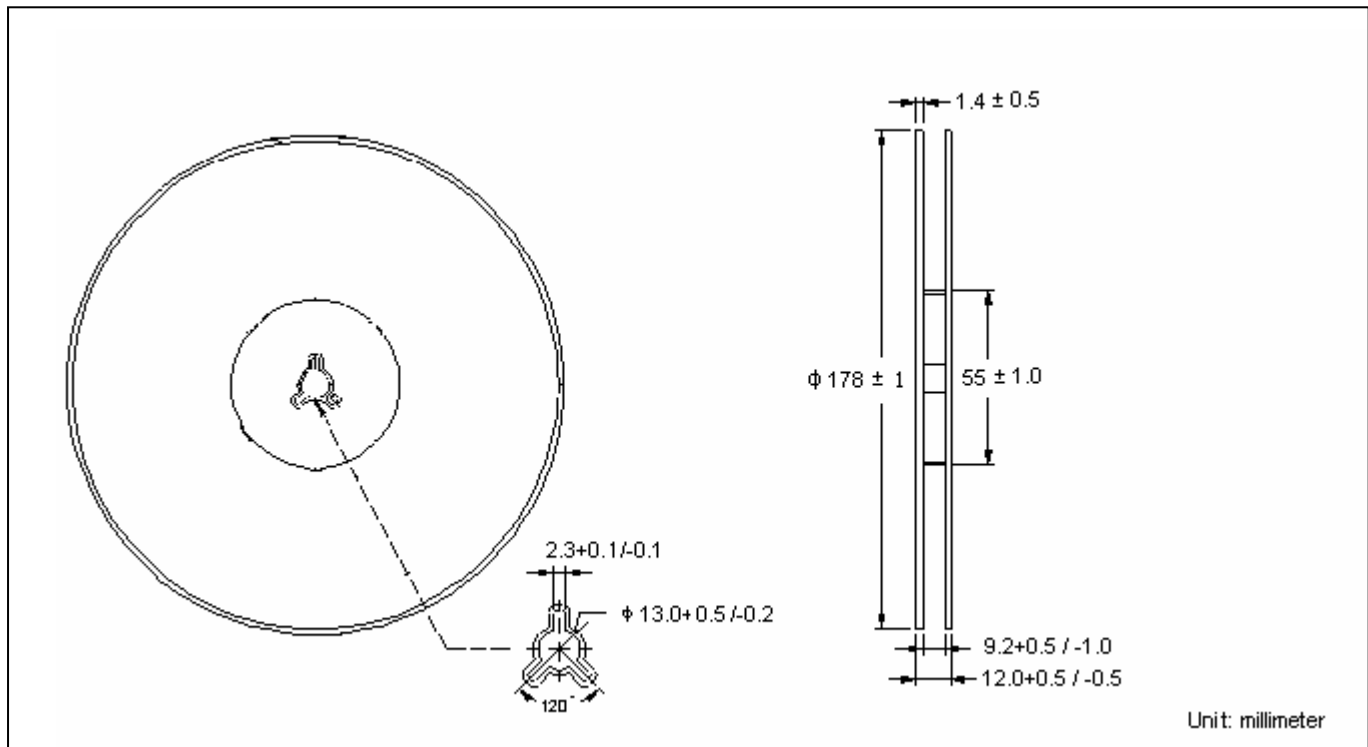
Power Derating Curve



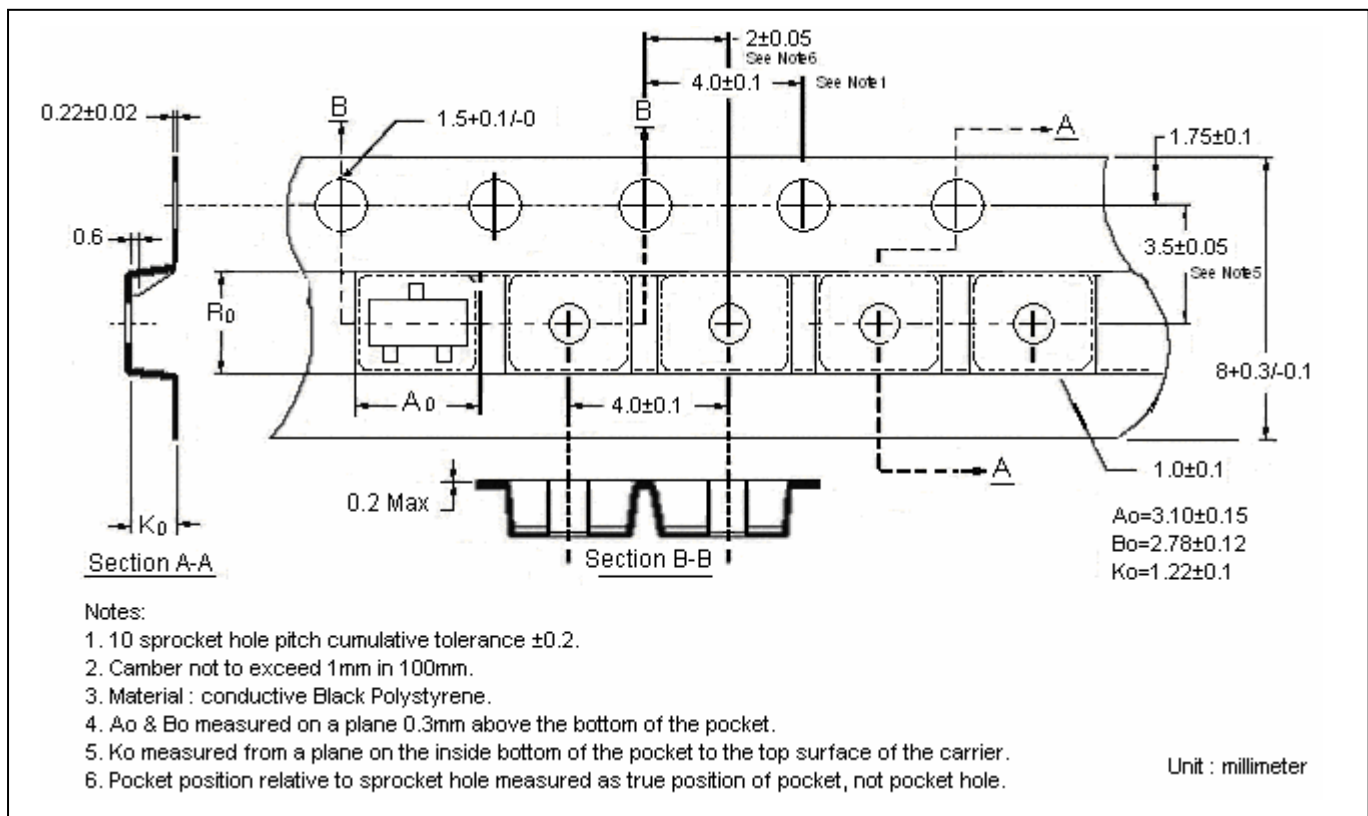
Transient Thermal Response Curves



Reel Dimension



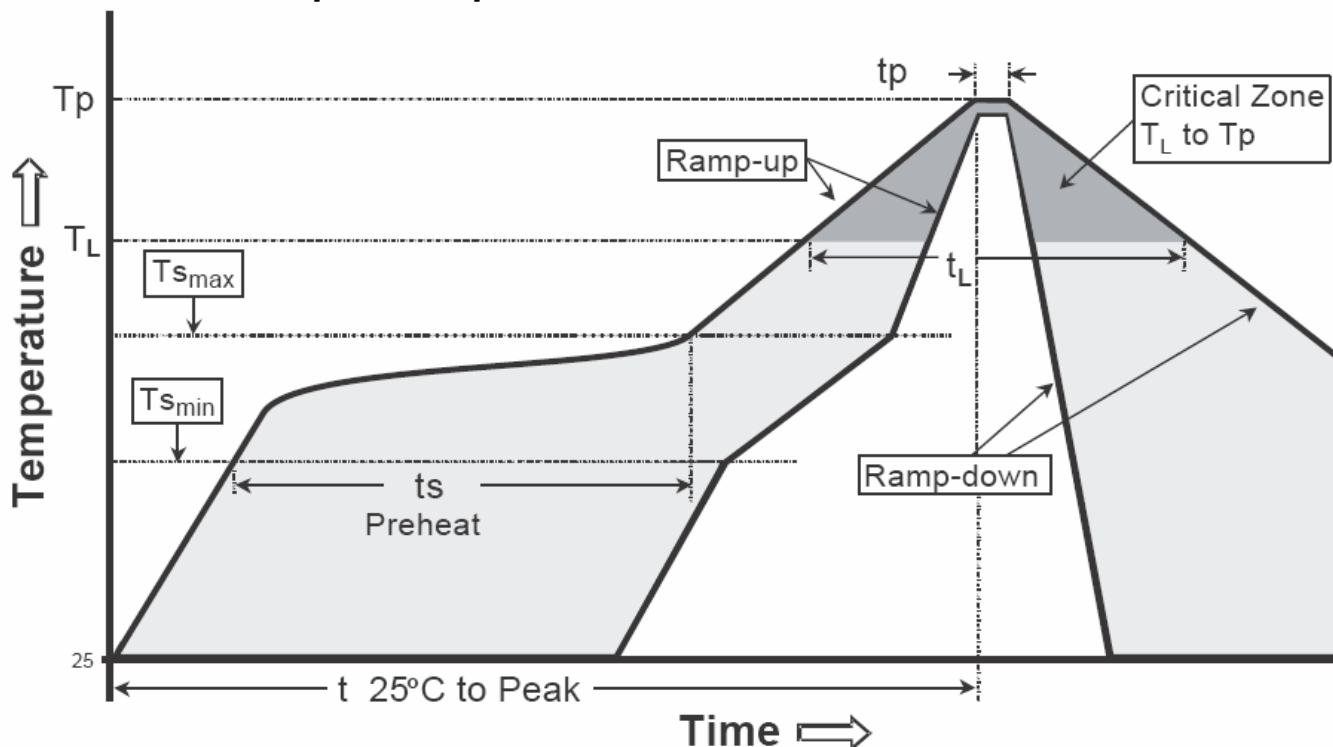
Carrier Tape Dimension



Recommended wave soldering condition

Product	Peak Temperature	Soldering Time
Pb-free devices	260 +0/-5 °C	5 +1/-1 seconds

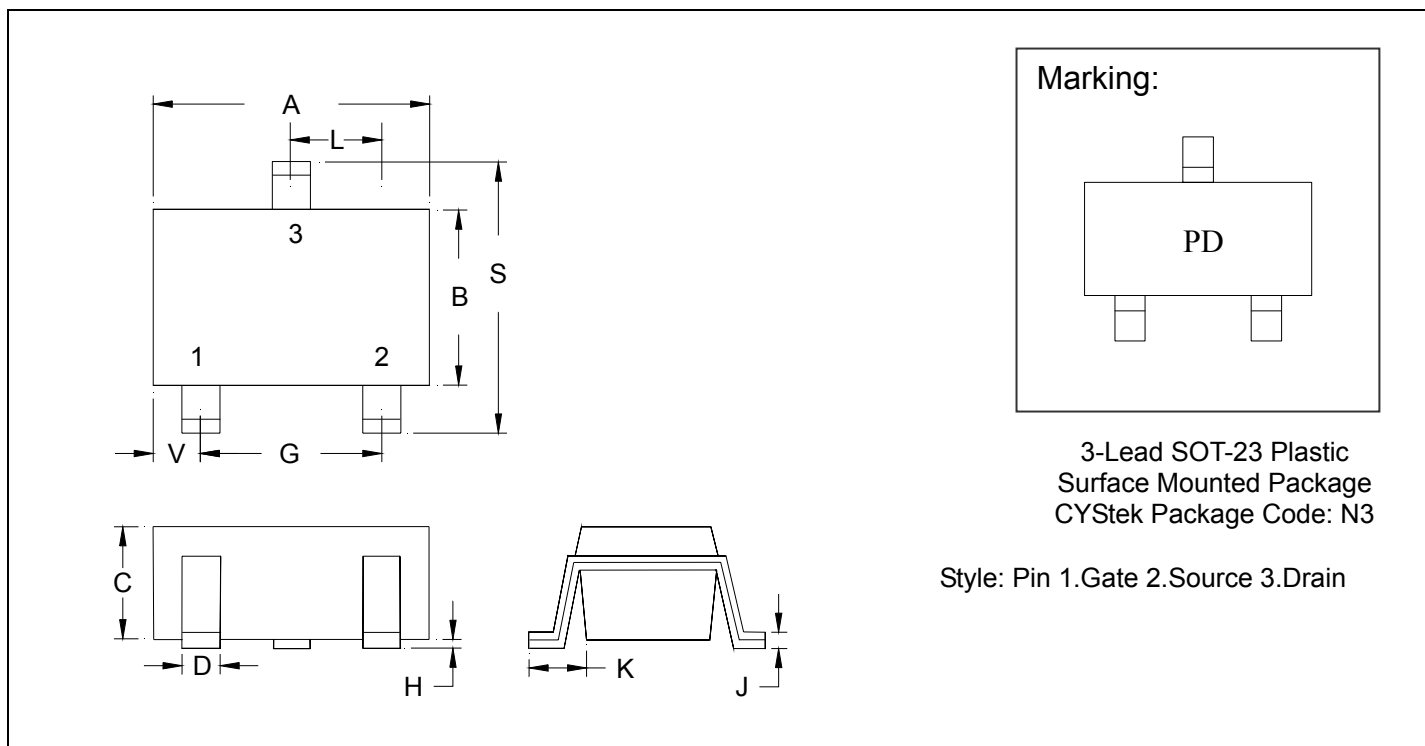
Recommended temperature profile for IR reflow



Profile feature	Sn-Pb eutectic Assembly	Pb-free Assembly
Average ramp-up rate (T _{smax} to T _p)	3°C/second max.	3°C/second max.
Preheat		
-Temperature Min(T _{s min})	100°C	150°C
-Temperature Max(T _{s max})	150°C	200°C
-Time(t _{s min} to t _{s max})	60-120 seconds	60-180 seconds
Time maintained above:		
-Temperature (T _L)	183°C	217°C
- Time (t _L)	60-150 seconds	60-150 seconds
Peak Temperature(T _P)	240 +0/-5 °C	260 +0/-5 °C
Time within 5°C of actual peak temperature(tp)	10-30 seconds	20-40 seconds
Ramp down rate	6°C/second max.	6°C/second max.
Time 25 °C to peak temperature	6 minutes max.	8 minutes max.

Note : All temperatures refer to topside of the package, measured on the package body surface.

SOT-23 Dimension



*: Typical

DIM	Inches		Millimeters		DIM	Inches		Millimeters	
	Min.	Max.	Min.	Max.		Min.	Max.	Min.	Max.
A	0.1102	0.1204	2.80	3.04	J	0.0032	0.0079	0.08	0.20
B	0.0472	0.0669	1.20	1.70	K	0.0118	0.0266	0.30	0.67
C	0.0335	0.0512	0.89	1.30	L	0.0335	0.0453	0.85	1.15
D	0.0118	0.0197	0.30	0.50	S	0.0830	0.1161	2.10	2.95
G	0.0669	0.0910	1.70	2.30	V	0.0098	0.0256	0.25	0.65
H	0.0000	0.0040	0.00	0.10					

Notes: 1.Controlling dimension: millimeters.
 2.Maximum lead thickness includes lead finish thickness, and minimum lead thickness is the minimum thickness of base material.
 3.If there is any question with packing specification or packing method, please contact your local CYStek sales office.

Material:

- Lead: Pure tin plated.
- Mold Compound: Epoxy resin family, flammability solid burning class: UL94V-0.

Important Notice:

- All rights are reserved. Reproduction in whole or in part is prohibited without the prior written approval of CYStek.
- CYStek reserves the right to make changes to its products without notice.
- CYStek **semiconductor products are not warranted to be suitable for use in Life-Support Applications, or systems.**
- CYStek assumes no liability for any consequence of customer product design, infringement of patents, or application assistance.

www.s-manuals.com