

**SURFACE MOUNT  
SCHOTTKY BARRIER DIODE**

**REVERSE VOLTAGE – 40 Volts  
FORWARD CURRENT – 0.03 Ampere**

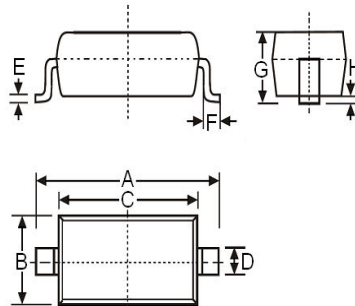
**FEATURES**

- Extremely low VF drop
- Low inductance

**MECHANICAL DATA**

- Case: SOD-323 Plastic
- Case Material: “Green” molding compound, UL flammability classification 94V-0, (No Br. Sb. Cl)
- Moisture Sensitivity: Level 1 per J-STD-020D
- Lead Free in RoHS 2002/95/EC Compliant

**SOD-323**



SOD-323		
Dim.	Min.	Max.
A	2.50	2.70
B	1.20	1.40
C	1.60	1.80
D	0.25	0.35
E	0.08	0.15
F	0.25	0.40
G	---	1.0
H	0.00	0.10
Dimensions in millimeter		

**Maximum Ratings & Thermal Characteristics @ T<sub>A</sub> = 25°C unless otherwise specified**

Characteristic	Symbol	RB751V-40	Units
Peak Reverse Voltage	V <sub>RM</sub>	40	V
DC reverse voltage	V <sub>R</sub>	30	V
Average Rectified Forward Current	I <sub>O</sub>	30	mA
Peak Forward Surge Current @ tp=8.3ms	I <sub>FSM</sub>	0.2	A
Operating Temperature Range	T <sub>J</sub>	125	°C
Storage Temperature Range	T <sub>STG</sub>	-40~+125	°C

**Electrical Characteristics @ T<sub>A</sub> = 25°C unless otherwise specified**

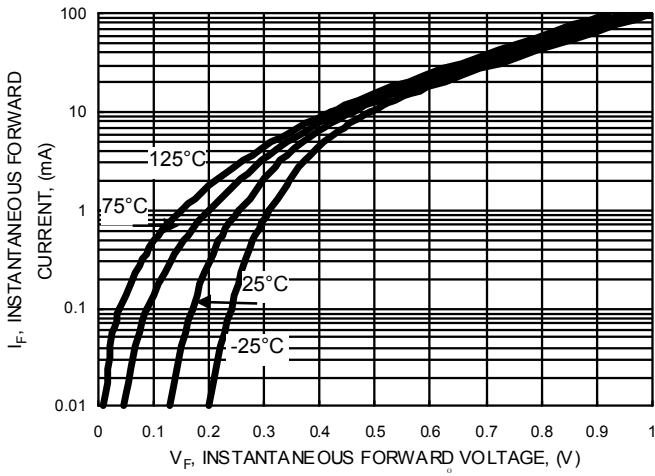
Characteristic	Test Condition	Symbol	RB751V-40	Unit
Maximum Forward Voltage	I <sub>F</sub> = 1mA	V <sub>F</sub>	370	mV
Maximum DC Reverse Current at Rated DC Blocking Voltage	V <sub>R</sub> = 30V	I <sub>R</sub>	0.5	uA
Typical Diode Capacitance	V <sub>R</sub> = 1.0V, f=1MHz	C <sub>D</sub>	2	pF

REV. 1, Oct-2010, KSHR52

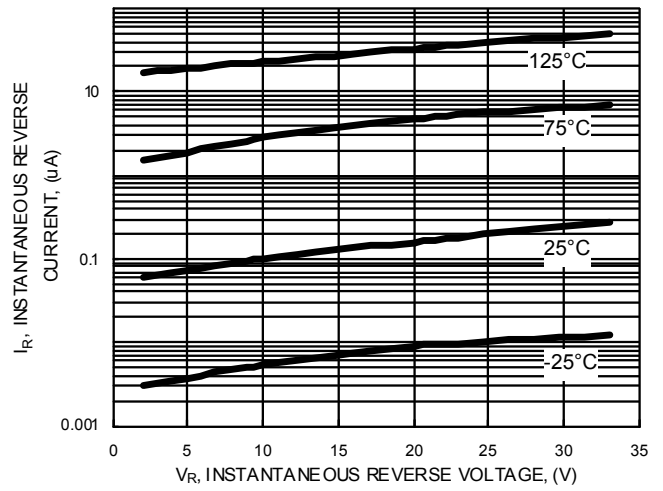
**RATING AND CHARACTERISTIC CURVES**  
**RB751V-40**



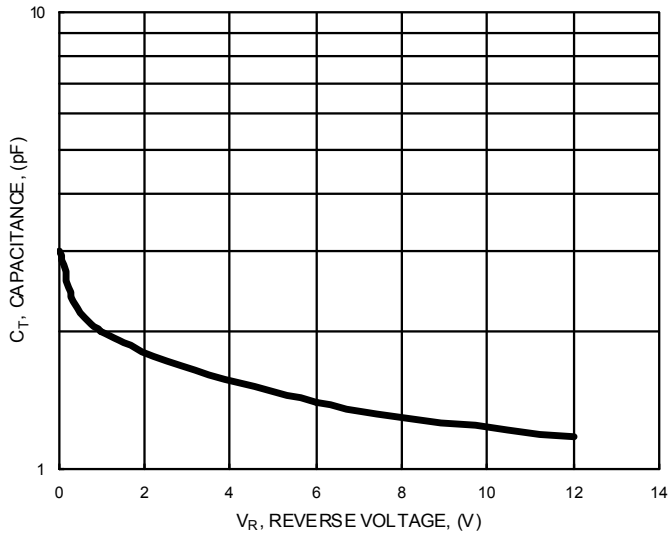
**FIG.1- TYPICAL FORWARD CHARACTERISTICS**



**FIG.2- TYPICAL REVERSE CHARACTERISTICS**



**FIG.3- TYPICAL JUNCTION CAPACITANCE**



**Device Marking :**

Device P/N	Marking	Equivalent Circuit Diagram
RB751V-40	5	1 ○ — — ○ 2

## **Important Notice and Disclaimer**

LSC reserves the right to make changes to this document and its products and specifications at any time without notice. Customers should obtain and confirm the latest product information and specifications before final design, purchase or use.

LSC makes no warranty, representation or guarantee regarding the suitability of its products for any particular purpose, nor does LSC assume any liability for application assistance or customer product design. LSC does not warrant or accept any liability with products which are purchased or used for any unintended or unauthorized application.

No license is granted by implication or otherwise under any intellectual property rights of LSC.

LSC products are not authorized for use as critical components in life support devices or systems without express written approval of LSC.

[www.s-manuals.com](http://www.s-manuals.com)