

# TP4054 Standalone Linear Li-Ion Battery Charger with Thermal Regulation in SOT

## DESCRIPTION

The TP4054 is a complete constant-current/constant-voltage linear charger for single cell lithium-ion batteries. Its SOT package and low external component count make the TP4054 ideally suited for portable applications. Furthermore, the TP4054 can work within USB and wall adapter.

No external sense resistor is needed, and no blocking diode is required due to the internal PMOSFET architecture and have prevent to negative Charge Current Circuit. Thermal feedback regulates the charge current to limit the die temperature during high power operation or high ambient temperature. The charge voltage is fixed at 4.2V, and the charge current can be programmed externally with a single resistor. The TP4054 automatically terminates the charge cycle when the charge current drops to 1/10th the programmed value after the final float voltage is reached.

When the input supply (wall adapter or USB supply) is removed, the TP4054 automatically enters a low current state, dropping the battery drain current to less than 2uA. The TP4054 can be put into shut down mode, reducing the supply current to 45uA. Other features include current monitor, under voltage lockout, automatic recharge and a status pin to indicate charge termination and the presence of an input voltage.

## FEATURES

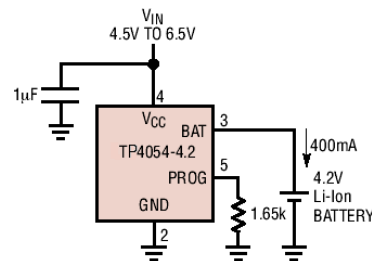
- Programmable Charge Current Up to 800mA
- No MOSFET, Sense Resistor or Blocking Diode Required
- Complete Linear Charger in SOT23-5 Package for Single Cell Lithium-Ion Batteries
- Constant-Current/Constant-Voltage Operation with Thermal Regulation to Maximize Charge Rate Without Risk of Overheating
- Charges Single Cell Li-Ion Batteries Directly from USB Port
- Preset 4.2V Charge Voltage with 1% Accuracy
- Charge Current Monitor Output for Gas Gauging
- Automatic Recharge
- Charge Status Output Pin
- C/10 Charge Termination
- 45uA Supply Current in Shutdown
- 2.9V Trickle Charge Threshold (TP4054)
- Soft-Start Limits Inrush Current
- Available in 5-Lead SOT-23 Package

## APPLICATIONS

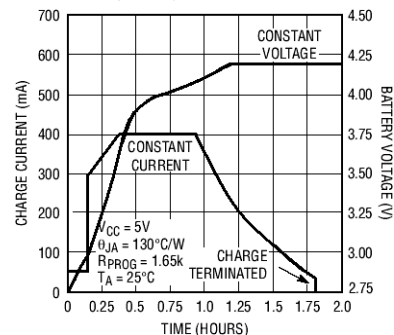
- Cellular Telephones, PDAs, MP3 Players
- Charging Docks and Cradles
- Blue tooth Applications

## TYPICAL APPLICATION

600mA Single Cell Li-Ion Charger



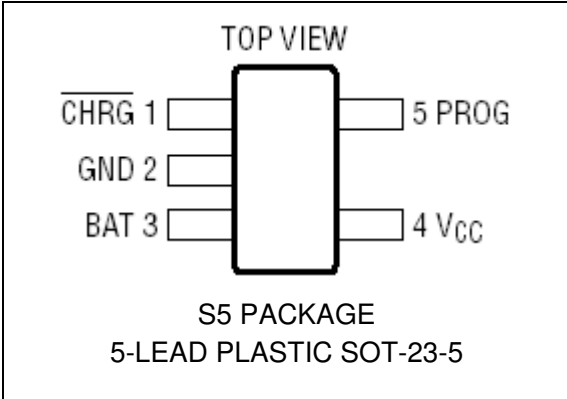
Complete Charge Cycle (650mAh Battery)



## ABSOLUTE MAXIMUM RATINGS

- Input Supply Voltage ( $V_{CC}$ ):  $-0.3V \sim 10V$
- PROG:  $-0.3V \sim V_{CC} + 0.3V$
- BAT:  $-0.3V \sim 7V$
- $\overline{CHRG}$ :  $-0.3V \sim 10V$
- BAT Short-Circuit Duration: Continuous
- BAT Pin Current: 800mA
- PROG Pin Current: 800uA
- Maximum Junction Temperature:  $145^{\circ}C$
- Operating Ambient Temperature Range:  $-40^{\circ}C \sim 85^{\circ}C$
- Storage Temp. Range:  $-65^{\circ}C \sim 125^{\circ}C$
- Lead Temp. (Soldering, 10sec):  $260^{\circ}C$

## PACKAGE/ORDER INFORMATION

 <p>S5 PACKAGE 5-LEAD PLASTIC SOT-23-5</p>	ORDER PART NUMBER
	TP4054-42-SOT25-R
	S5 PART MARKING
	54b

## ELECTRICAL CHARACTERISTICS

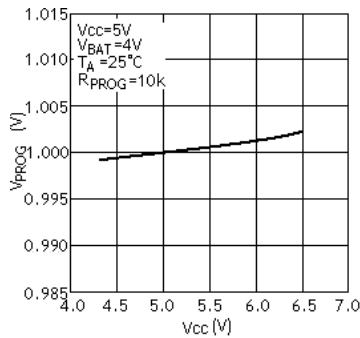
The ● denotes specifications which apply over the full operating temperature range, otherwise specifications are at  $T_A=25^\circ\text{C}$ ,  $V_{CC}=5\text{V}$ , unless otherwise noted.

SYMBOL	PARAMETER	CONDITIONS	MIN	TYP	MAX	UNITS	
$V_{CC}$	Input Supply Voltage		● 4.0	5	9.0	V	
$I_{CC}$	Input Supply Current	Charge Mode, $R_{PROG} = 10\text{k}$	●		150	500	$\mu\text{A}$
		Standby Mode (Charge Terminated)	●		45	100	$\mu\text{A}$
		Shutdown Mode ( $R_{PROG}$ Not Connected, $V_{CC} < V_{BAT}$ , or $V_{CC} < V_{UV}$ )	●		45	100	$\mu\text{A}$
			●		45	100	$\mu\text{A}$
$V_{FLOAL}$	Regulated Output (Float) Voltage	$0^\circ\text{C} \leq T_A \leq 85^\circ\text{C}$ , $I_{BAT}=40\text{mA}$	4.15 8	4.2	4.242	V	
$I_{BAT}$	BAT Pin Current	$R_{PROG} = 10\text{k}$ , Current Mode	●	90	100	110	$\text{mA}$
		$R_{PROG} = 1.66\text{k}$ , Current Mode	●	250	400	450	$\text{mA}$
		Standby Mode, $V_{BAT} = 4.2\text{V}$	●	0	-2.5	-6	$\mu\text{A}$
		Shutdown Mode ( $R_{PROG}$ Not Connected)			$\pm 1$	$\pm 2$	$\mu\text{A}$
	Sleep Mode, $V_{CC} = 0\text{V}$			-1	-2	$\mu\text{A}$	
$I_{TRIKL}$	Trickle Charge Current	$V_{BAT} < V_{TRIKL}$ , $R_{PROG}=10\text{K}$	●	15	25	35	$\text{mA}$
$V_{TRIKL}$	Trickle Charge Threshold Voltage	$R_{PROG}=10\text{K}$ , $V_{BAT}$ Rising		2.8	2.9	3.0	V
$V_{TRHYS}$	Trickle Charge Hysteresis Voltage	$R_{PROG}=10\text{K}$		60	80	100	mV
$V_{UV}$	$V_{CC}$ Undervoltage Lockout Threshold	From $V_{CC}$ Low to High	●	3.4	3.6	3.8	V
$V_{UVHYS}$	$V_{CC}$ Undervoltage Lockout Hysteresis		●	150	200	300	mV
$V_{MSD}$	Manual Shutdown Threshold Voltage	PROG Pin Rising	●	3.40	3.50	3.60	V
		PROG Pin Falling	●	1.90	2.00	2.10	V
$V_{ASD}$	$V_{CC}-V_{BAT}$ Lockout Threshold Voltage	$V_{CC}$ from Low to High		60	100	140	mV
		$V_{CC}$ from High to Low		5	30	50	mV
$I_{TERM}$	C/10 Termination Current Threshold	$R_{PROG}=10\text{K}$	●	8	10	12	$\text{mA}$
		$R_{PROG}=2\text{K}$	●	40	50	60	$\text{mA}$
$V_{PROG}$	PROG Pin Voltage	$R_{PROG}=10\text{K}$ , Current Mode	●	0.9	1.0	1.1	V
$I_{\overline{\text{CHRG}}}$	$\overline{\text{CHRG}}$ Pin Weak Pull-Down Current	$V_{\overline{\text{CHRG}}} = 5\text{V}$		8	20	35	$\mu\text{A}$
$V_{\overline{\text{CHRG}}}$	$\overline{\text{CHRG}}$ Pin Output Low Voltage	$I_{\overline{\text{CHRG}}} = 5\text{mA}$		0.1	0.3	0.5	V

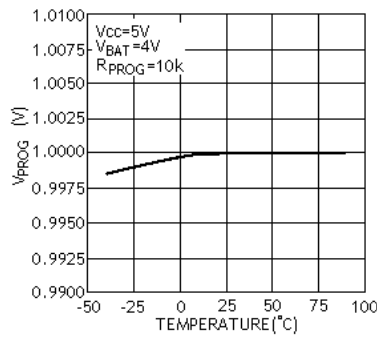
$\Delta V_{RECHRG}$	Recharge Battery Threshold Voltage	$V_{FLOAT} - V_{RECHRG}$	100	150	200	mV
$T_{LIM}$	Junction Temperature in Constant Temperature Mode			120		°C
$R_{ON}$	Power FET "ON" Resistance (Between $V_{CC}$ and BAT)			650		m $\Omega$
$t_{SS}$	Soft-Start Time	$I_{BAT} = 0$ to $I_{BAT} = 1000V/R_{PROG}$		20		$\mu$ s
$t_{RECHARGE}$	Recharge Comparator Filter Time	$V_{BAT}$ High to Low	0.8	1.8	4	ms
$t_{TERM}$	Termination Comparator Filter Time	$I_{BAT}$ Falling Below $I_{CHG}/10$	0.8	1.8	4	ms
$I_{PROG}$	PROG Pin Pull-Up Current			2.5		$\mu$ A

### TYPICAL PERFORMANCE CHARACTERISTICS

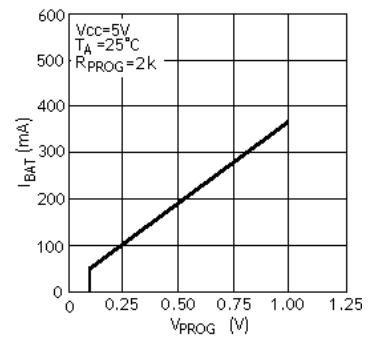
PROG Pin Voltage vs Supply Voltage (Constant Current Mode)



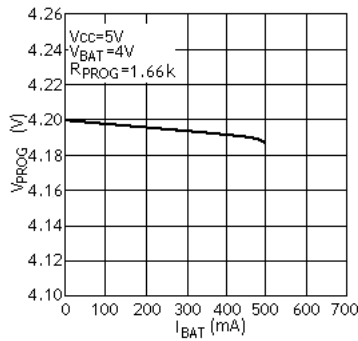
PROG Pin Voltage vs Temperature



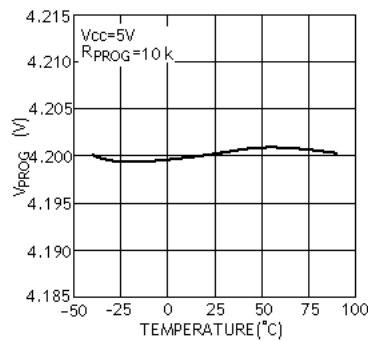
Charge Current vs PROG Pin Voltage



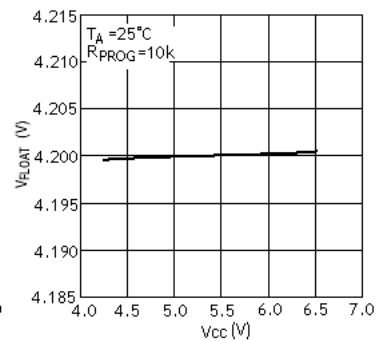
Regulated Output(Float) Voltage vs Charge Current



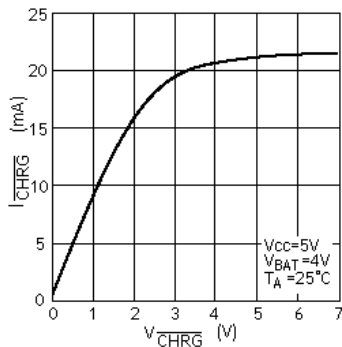
Regulated Output(Float) Voltage vs Temperature



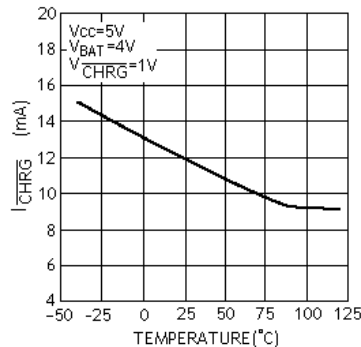
Regulated Output(Float) Voltage vs Supply Voltage



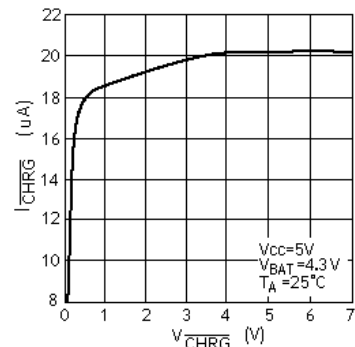
CHRG Pin I-V Curve (Strong Pull-Down State)



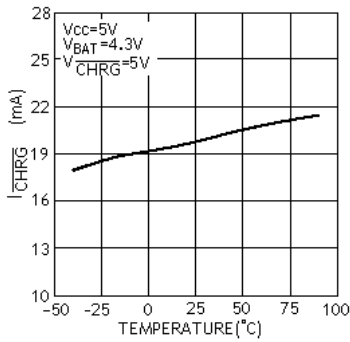
CHRG Pin Current vs Temperature (Strong Pull-Down State)



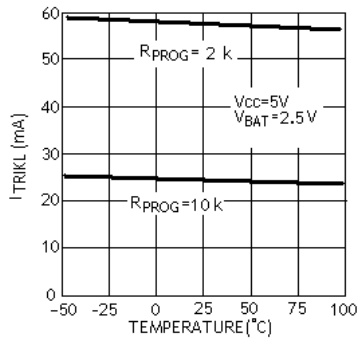
CHRG Pin I-V Curve (Weak Pull-Down State)



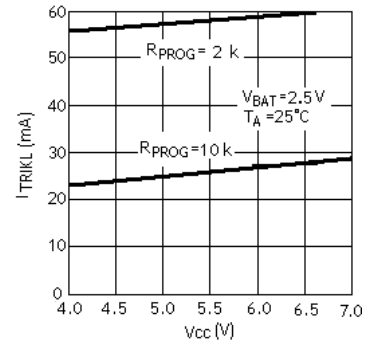
**CHRGPin Current vs Temperature (Weak Pull-Down State)**



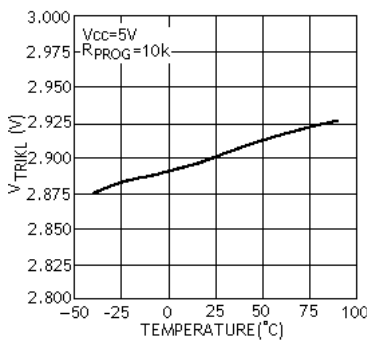
**Trickle Charge Current vs Temperature**



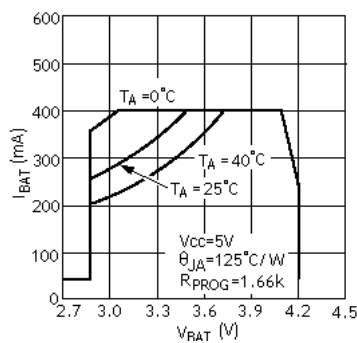
**Trickle Charge Current vs Supply Voltage**



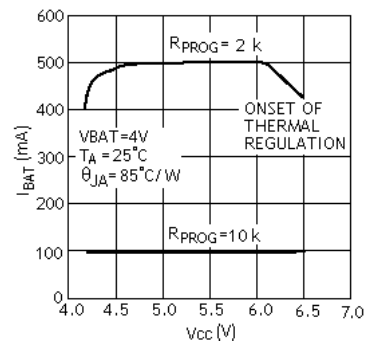
**Trickle Charge Threshold vs Temperature**



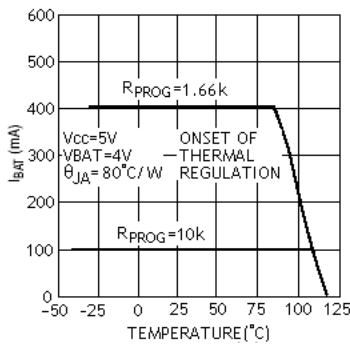
**Charge Current vs Battery Voltage**



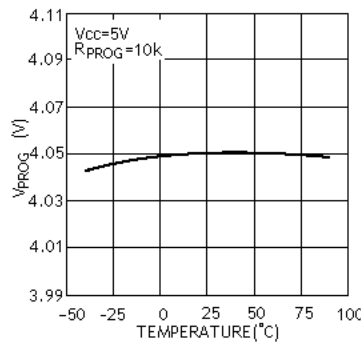
**Charge Current vs Supply Voltage**



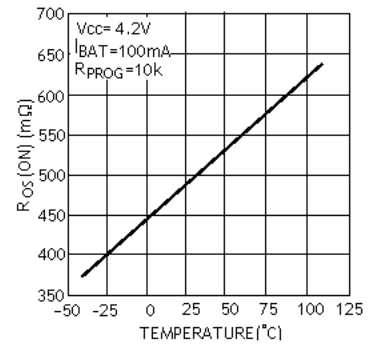
**Charge Current vs Ambient Temperature**



**Recharge Voltage vs Temperature**



**power TEF "ON" Resistance vs Temperature**



## PIN FUNCTIONS

**$\overline{\text{CHRG}}$  (Pin 1)** : Open-Drain Charge Status Output. When the battery is charging, the  $\overline{\text{CHRG}}$  pin is pulled low by an internal N-channel MOSFET. When the charge cycle is completed, a weak pull-down of approximately  $20\mu\text{A}$  is connected to the  $\overline{\text{CHRG}}$  pin, indicating an “AC present” condition. When the TP4054 detects an under voltage lockout condition,  $\overline{\text{CHRG}}$  is forced high impedance.

**GND (Pin 2)** : Ground

**BAT (Pin 3)** : Charge Current Output. Provides charge current to the battery and regulates the final float voltage to 4.2V. An internal precision resistor divider from this pin sets the float voltage which is disconnected in shutdown mode.

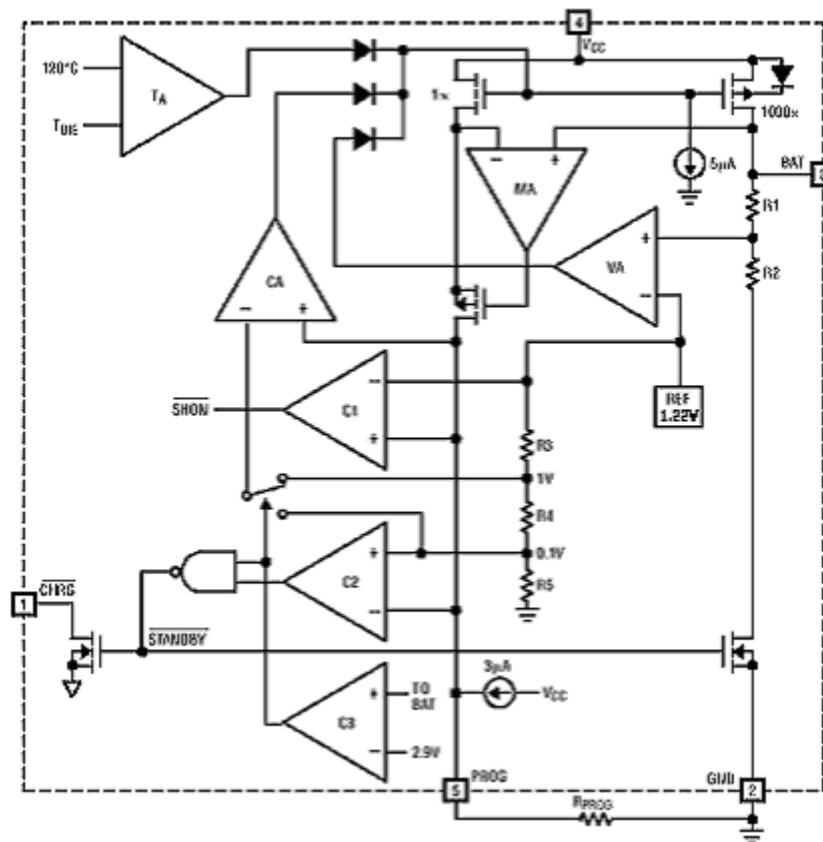
**$V_{\text{CC}}$ (Pin 4)**: Positive Input Supply Voltage. Provides power to the charger.  $V_{\text{CC}}$  can range from 4V to 9V and should be bypassed with at least a  $1\mu\text{F}$  capacitor. When  $V_{\text{CC}}$  drops to within 30mV

of the BAT pin voltage, the TP4054 enters shutdown mode, dropping  $I_{\text{BAT}}$  to less than  $2\mu\text{A}$

**PROG (Pin 5)** : Charge Current Program, Charge Current Monitor and Shutdown Pin. The charge current is programmed by connecting a 1% resistor,  $R_{\text{PROG}}$ , to ground. When charging in constant-current mode, this pin serves to 1V.

The PROG pin can also be used to shut down the charger. Disconnecting the program resistor from ground allows a  $2.5\mu\text{A}$  current to pull the PROG pin high. When it reaches the 2.70V shutdown threshold voltage, the charger enters shutdown mode, charging stops and the input supply current drops to  $45\mu\text{A}$ . Reconnecting  $R_{\text{PROG}}$  to ground will return the charger to normal operation.

## BLOCK DIAGRAM



---

## OPERATION

The TP4054 is a single cell lithium-ion battery charger using a constant-current/constant-voltage algorithm. It can deliver up to 800mA of charge current (using a good thermal PDB layout) with a final float voltage accuracy of  $\pm 1\%$ . The TP4054 includes an internal P-channel power MOSFET and thermal regulation circuitry. No blocking diode or external current sense resistor is required; thus, the basic charger circuit requires only two external components. Furthermore, the TP4054 is capable of operating from a USB power source.

### Normal Charge Cycle

A charge cycle begins when the voltage at the  $V_{CC}$  pin rises above the UVLO threshold level and a 1% program resistor is connected from the PROG pin to ground or when a battery is connected to the charger output. If the BAT pin is less than 2.9V, the charger enters trickle charge mode. In this mode, the TP4054 supplies approximately 1/10 the programmed charge current to bring the battery voltage up to a safe level for full current charging.

When the BAT pin voltage rises above 2.9V, the charger enters constant-current mode, where the programmed charge current is supplied to the battery. When the BAT pin approaches the final float voltage (4.2V), the TP4054 enters constant-voltage mode and the charge current begins to decrease. When the charge current drops to 1/10 of the programmed value, the charge cycle ends.

### Programming Charge Current

The charge current is programmed using a single resistor from the PROG pin to ground. The program resistor and the charge current are calculated using the following equations:

Formula 1:

$$R_{PROG} = \frac{1000}{I_{BAT}} \times \left( 1.2 - \frac{4}{3} I_{BAT} \right)$$

$(I_{BAT} > 0.15A)$

$$\text{Formula 2: } R_{PROG} = \frac{1000}{I_{BAT}} \quad (I_{BAT} \leq 0.15A)$$

Exp1: When we need  $I_{BAT} = 0.4A$ , user Formula 1.

$$R_{PROG} = \frac{1000}{0.4} \times \left( 1.2 - \frac{4}{3} \times 0.4 \right) = 1666 \quad (\Omega)$$

$$R_{PROG} = 1.66k \Omega$$

Exp2: When we need  $I_{BAT} = 0.1A$ , user Formula 2.

$$R_{PROG} = \frac{1000}{I_{BAT}} = \frac{1000}{0.1} = 10000 \quad (\Omega)$$

$$R_{PROG} = 10k \Omega$$

### Charge Termination

A charge cycle is terminated when the charge current falls to 1/10th the programmed value after the final float voltage is reached. This condition is detected by using an internal, filtered comparator to monitor the PROG pin. When the PROG pin voltage falls below 100mV for longer than  $t_{TERM}$  (typically 1.8ms), charging is terminated. The charge current is latched off and the TP4054 enters standby mode, where the input supply current drops to 45 $\mu$ A. (Note: C/10 termination is disabled in trickle charging and thermal limiting modes).

When charging, transient loads on the BAT pin can cause the PROG pin to fall below 100mV for short periods of time before the DC charge current has dropped to 1/10th the programmed value. The 1.8ms filter time ( $t_{TERM}$ ) on the termination comparator ensures that transient loads of this nature do not result in premature charge cycle termination. Once the average charge current drops below 1/10th the programmed value, the TP4054 terminates the charge cycle and ceases to provide any current through the BAT pin. In this state, all loads on the BAT pin must be supplied by the battery. The TP4054 constantly monitors the BAT pin voltage in standby mode. If this voltage drops below the 4.05V recharge threshold ( $V_{RECHRG}$ ), another charge cycle begins and current is once again supplied to the battery. To manually

---

restart a charge cycle when in standby mode, the input voltage must be removed and reapplied, or the charger must be shut down and restarted using the PROG pin. Figure 1 shows the state diagram of a typical charge cycle.

### Charge Status Indicator ( $\overline{\text{CHRG}}$ )

The charge status output has three different states: strong pull-down ( $\sim 10\text{mA}$ ), weak pull-down ( $\sim 20\mu\text{A}$ ) and high impedance. The strong pull-down state indicates that the TP4054 is in a charge cycle. Once the charge cycle has terminated, the pin state is determined by undervoltage lockout conditions. A weak pull-down indicates that  $V_{\text{CC}}$  meets the UVLO conditions and the TP4054 is ready to charge. High impedance indicates that the TP4054 is in undervoltage lockout mode: either  $V_{\text{CC}}$  is less than 100mV above the BAT pin voltage or insufficient voltage is applied to the  $V_{\text{CC}}$  pin. A microprocessor can be used to distinguish between these three states—this method is discussed in the Applications Information section.

### Thermal Limiting

An internal thermal feedback loop reduces the programmed charge current if the die temperature attempts to rise above a preset value of approximately  $100^{\circ}\text{C}$ . The charging will be cut off until the temperature is over  $140^{\circ}\text{C}$ . This feature protects the TP4054 from excessive temperature and allows the user to push the limits of the power handling capability of a given circuit board without risk of damaging the TP4054. The charge current can be set according to typical (not worst-case) ambient temperature with the assurance that the charger will automatically reduce the current in worst-case conditions. ThinSOT power considerations are discussed further in the Applications Information section.

### Undervoltage Lockout (UVLO)

An internal undervoltage lockout circuit monitors the input voltage and keeps the charger in shutdown mode until  $V_{\text{CC}}$  rises

above the undervoltage lockout threshold. The UVLO circuit has a built-in hysteresis of 200mV. Furthermore, to protect against reverse current in the power MOSFET, the UVLO circuit keeps the charger in shutdown mode if  $V_{\text{CC}}$  falls to within 30mV of the battery voltage. If the UVLO comparator is tripped, the charger will not come out of shutdown mode until  $V_{\text{CC}}$  rises 100mV above the battery voltage.

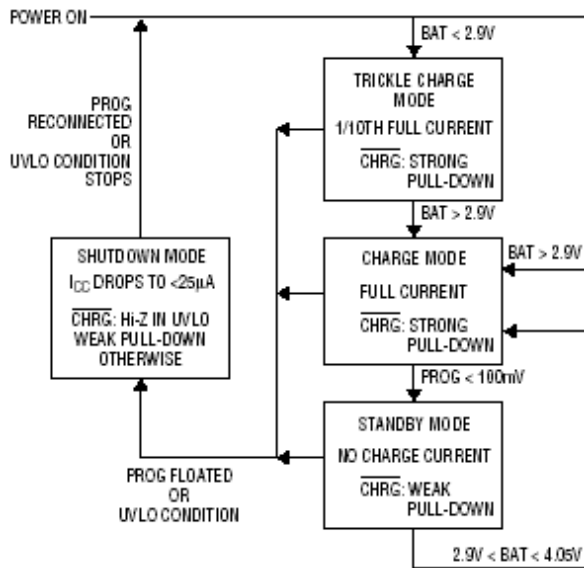
### Manual Shutdown

At any point in the charge cycle, the TP4054 can be put into shutdown mode by removing  $R_{\text{PROG}}$  thus floating the PROG pin. This reduces the battery drain current to less than  $2\mu\text{A}$  and the supply current to less than  $50\mu\text{A}$ . A new charge cycle can be initiated by reconnecting the program resistor.

In manual shutdown, the CHRG pin is in a weak pull-down state as long as  $V_{\text{CC}}$  is high enough to exceed the UVLO conditions. The CHRG pin is in a high impedance state if the TP4054 is in undervoltage lockout mode: either  $V_{\text{CC}}$  is within 100mV of the BAT pin voltage or insufficient voltage is applied to the  $V_{\text{CC}}$  pin.

### Automatic Recharge

Once the charge cycle is terminated, the TP4054 continuously monitors the voltage on the BAT pin using a comparator with a 1.8ms filter time ( $t_{\text{RECHARGE}}$ ). A charge cycle restarts when the battery voltage falls below 4.05V (which corresponds to approximately 80% to 90% battery capacity). This ensures that the battery is kept at or near a fully charged condition and eliminates the need for periodic charge cycle initiations. CHRG output enters a strong pulldown state during recharge cycles.



**Figure 1. State Diagram of a Typical Charge Cycle**

### Stability Considerations

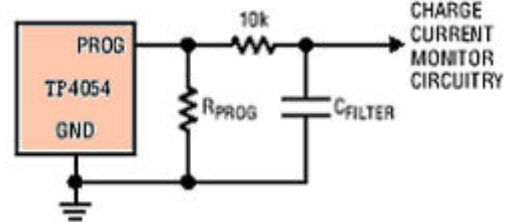
The constant-voltage mode feedback loop is stable without an output capacitor provided a battery is connected to the charger output. With no battery present, an output capacitor is recommended to reduce ripple voltage. When using high value, low ESR ceramic capacitors, it is recommended to add a 1Ω resistor in series with the capacitor. No series resistor is needed if tantalum capacitors are used.

In constant-current mode, the PROG pin is in the feedback loop, not the battery. The constant-current mode stability is affected by the impedance at the PROG pin. With no additional capacitance on the PROG pin, the charger is stable with program resistor values as high as 20k. However, additional capacitance on this node reduces the maximum allowed program resistor. The pole frequency at the PROG pin should be kept above 100kHz. Therefore, if the PROG pin is loaded with a capacitance, C<sub>PROG</sub>, the following equation can be used to calculate the maximum resistance value for R<sub>PROG</sub>:

$$R_{PROG} \leq \frac{1}{2\pi \cdot 10^5 \cdot C_{PROG}}$$

Average, rather than instantaneous, charge

current may be of interest to the user. For example, if a switching power supply operating in low current mode is connected in parallel with the battery, the average current being pulled out of the BAT pin is typically of more interest than the instantaneous current pulses. In such a case, a simple RC filter can be used on the PROG pin to measure the average battery current as shown in Figure 2. A 10k resistor has been added between the PROG pin and the filter capacitor to ensure stability.



**Figure 2. Isolating Capacitive Load on PROG Pin and Filtering**

### Power Dissipation

The conditions that cause the TP4054 to reduce charge current through thermal feedback can be approximated by considering the power dissipated in the IC. Nearly all of this power dissipation is generated by the internal MOSFET—this is calculated to be approximately:

$$P_D = (V_{CC} - V_{BAT}) \cdot I_{BAT}$$

where PD is the power dissipated, V<sub>CC</sub> is the input supply voltage, V<sub>BAT</sub> is the battery voltage and I<sub>BAT</sub> is the charge current. The approximate ambient temperature at which the thermal feedback begins to protect the IC is:

$$T_A = 120^\circ\text{C} - P_D \theta_{JA}$$

$$T_A = 120^\circ\text{C} - (V_{CC} - V_{BAT}) \cdot I_{BAT} \cdot \theta_{JA}$$

Example: An TP4054 operating from a 5V USB supply is programmed to supply 400mA full-scale current to a discharged Li-Ion battery with a voltage of 3.75V. Assuming  $\theta_{JA}$  is 150°C/W (see Board Layout Considerations), the ambient temperature at which the TP4054 will begin to reduce the charge current is approximately:

$$T_A = 120^\circ\text{C} - (5\text{V} - 3.75\text{V}) \cdot (400\text{mA}) \cdot 150^\circ\text{C/W}$$



$$T_A = 120^{\circ}\text{C} - 0.5\text{W} \cdot 150^{\circ}\text{C}/\text{W} = 120^{\circ}\text{C} - 75^{\circ}\text{C}$$

$$T_A = 45^{\circ}\text{C}$$

The TP4054 can be used above 45°C ambient, but the charge current will be reduced from 400mA. The approximate current at a given ambient temperature can be approximated by:

$$I_{BAT} = \frac{120^{\circ}\text{C} - T_A}{(V_{CC} - V_{BAT}) \cdot \theta_{JA}}$$

Using the previous example with an ambient temperature of 60°C, the charge current will be reduced to approximately:

$$I_{BAT} = \frac{120^{\circ}\text{C} - 60^{\circ}\text{C}}{(5\text{V} - 3.75\text{V}) \cdot 150^{\circ}\text{C}/\text{W}} = \frac{60^{\circ}\text{C}}{187.5^{\circ}\text{C}/\text{A}}$$

$$I_{BAT} = 320\text{mA}$$

Moreover, when thermal feedback reduces the charge current, the voltage at the PROG pin is also reduced proportionally as discussed in the Operation section. It is important to remember that TP4054 applications do not need to be designed for worst-case thermal conditions since the IC will automatically reduce power dissipation when the junction temperature reaches approximately 120°C.

### Thermal Considerations

Because of the small size of the ThinSOT23-5 package, it is very important to use a good thermal PC board layout to maximize the available charge current. The thermal path for the heat generated by the IC is from the die to the copper lead frame, through the package leads, (especially the ground lead) to the PC board copper. The PC board copper is the heat sink. The footprint copper pads should be as wide as possible and expand out to larger copper areas to spread and dissipate the heat to the surrounding ambient. Feedthrough vias to inner or backside copper layers are also useful in improving the overall thermal performance of the charger. Other heat sources on the board, not related to the charger, must also be considered when designing a PC

board layout because they will affect overall temperature rise and the maximum charge current. The following table lists thermal resistance for several different board sizes and copper areas. All measurements were taken in still air on 3/32" FR-4 board with the device mounted on topside.

Table 1. Measured Thermal Resistance (2-Layer Board\*)

COPPER AREA		BOARD AREA	THERMAL RESISTANCE JUNCTION-TO-AMBIENT
TOPSIDE	BACKSIDE		
2500mm <sup>2</sup>	2500mm <sup>2</sup>	2500mm <sup>2</sup>	125°C/W
1000mm <sup>2</sup>	2500mm <sup>2</sup>	2500mm <sup>2</sup>	125°C/W
225mm <sup>2</sup>	2500mm <sup>2</sup>	2500mm <sup>2</sup>	130°C/W
100mm <sup>2</sup>	2500mm <sup>2</sup>	2500mm <sup>2</sup>	135°C/W
50mm <sup>2</sup>	2500mm <sup>2</sup>	2500mm <sup>2</sup>	150°C/W

\*Each layer uses one ounce copper

Table 2. Measured Thermal Resistance (4-Layer Board\*\*)

COPPER AREA (EACH SIDE)	BOARD AREA	THERMAL RESISTANCE JUNCTION-TO-AMBIENT
2500mm <sup>2</sup> ***	2500mm <sup>2</sup>	80°C/W

\*\*Top and bottom layers use two ounce copper, inner layers use one ounce copper.  
\*\*\*10,000mm<sup>2</sup> total copper area

### Increasing Thermal Regulation Current

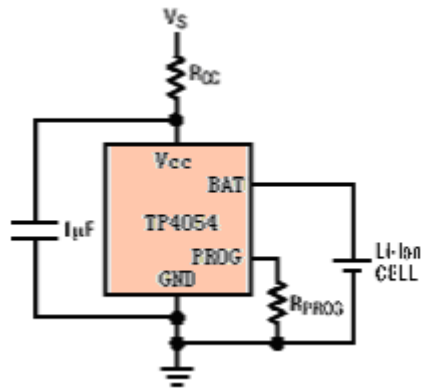
Reducing the voltage drop across the internal MOSFET can significantly decrease the power dissipation in the IC. This has the effect of increasing the current delivered to the battery during thermal regulation. One method is by dissipating some of the power through an external component, such as a resistor or diode.

Example: An TP4054 operating from a 5V wall adapter is programmed to supply 800mA full-scale current to a discharged Li-Ion battery with a voltage of 3.75V. Assuming  $\theta_{JA}$  is 125°C/W, the approximate charge current at an ambient temperature of 25°C is:

$$I_{BAT} = \frac{120^{\circ}\text{C} - 25^{\circ}\text{C}}{(5\text{V} - 3.75\text{V}) \cdot 125^{\circ}\text{C}/\text{W}} = 608\text{mA}$$

By dropping voltage across a resistor in series with a 5V wall adapter (shown in Figure 3), the on-chip power dissipation can be decreased, thus increasing the thermally regulated charge current

$$I_{BAT} = \frac{120^{\circ}\text{C} - 25^{\circ}\text{C}}{(V_S - I_{BAT}R_{CC} - V_{BAT}) \cdot \theta_{JA}}$$



**Figure 3. A Circuit to Maximize Thermal Mode Charge Current**

Solving for  $I_{BAT}$  using the quadratic formula<sup>2</sup>.

$$I_{BAT} = \frac{(V_S - V_{BAT}) - \sqrt{(V_S - V_{BAT})^2 - \frac{4R_{CC}(120^{\circ}\text{C} - T_A)}{\theta_{JA}}}}{2R_{CC}}$$

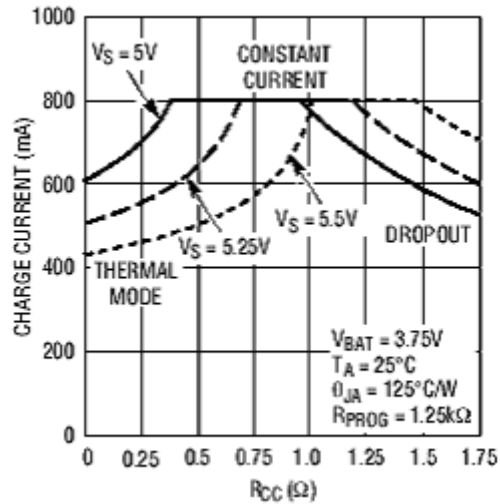
Using  $R_{CC} = 0.25\Omega$ ,  $V_S = 5\text{V}$ ,  $V_{BAT} = 3.75\text{V}$ ,  $T_A = 25^{\circ}\text{C}$  and  $\theta_{JA} = 125^{\circ}\text{C}/\text{W}$  we can calculate the

thermally regulated charge current to be:

$$I_{BAT} = 708.4\text{mA}$$

While this application delivers more energy to the battery and reduces charge time in thermal mode, it may actually lengthen charge time in voltage mode if  $V_{CC}$  becomes low enough to put the TP4054 into dropout. Figure 4 shows how this circuit can result in dropout as  $R_{CC}$  becomes large.

This technique works best when  $R_{CC}$  values are minimized to keep component size small and avoid dropout. Remember to choose a resistor with adequate power handling capability.



**Figure 4. Charge Current vs  $R_{CC}$**

### Vcc Bypass Capacitor

Many types of capacitors can be used for input bypassing, however, caution must be exercised when using multilayer ceramic capacitors. Because of the self-resonant and high Q characteristics of some types of ceramic capacitors,

high voltage transients can be generated under some start-up conditions, such as connecting the charger input to a live power source. Adding a  $1.5\Omega$  resistor in series with an X5R ceramic capacitor will minimize start-up voltage transients. For more information, refer to Application Note 88.

### Charge Current Soft-Start

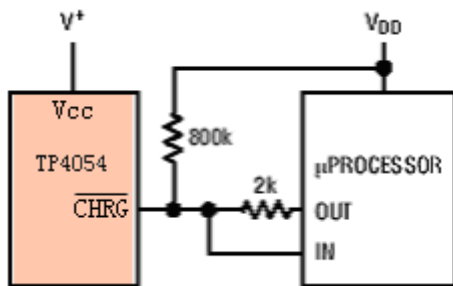
The TP4054 includes a soft-start circuit to minimize the inrush current at the start of a charge cycle. When a charge cycle is initiated, the charge current ramps from zero to the full-scale current over a period of approximately  $20\mu\text{s}$ .

This has the effect of minimizing the transient current load on the power supply during start-up.

### $\overline{\text{CHRG}}$ Status Output Pin

The  $\overline{\text{CHRG}}$  pin can provide an indication that the input voltage is greater than the undervoltage lockout threshold level. A weak

pull-down current of approximately 20mA indicates that sufficient voltage is applied to  $V_{CC}$  to begin charging. When a discharged battery is connected to the charger, the constant current portion of the charge cycle begins and the  $\overline{CHRG}$  pin pulls to ground. The  $\overline{CHRG}$  pin can sink up to 10mA to drive an LED that indicates that a charge cycle is in progress. When the battery is nearing full charge, the charger enters the constant-voltage portion of the charge cycle and the charge current begins to drop. When the charge current drops below 1/10 of the programmed current, the charge cycle ends and the strong pull-down is replaced by the 20mA pull-down, indicating that the charge cycle has ended. If the input voltage is removed or drops below the undervoltage lockout threshold, the  $\overline{CHRG}$  pin becomes high impedance. Figure 5 shows that by using two different value pull-up resistors, a microprocessor can detect all three states from this pin.



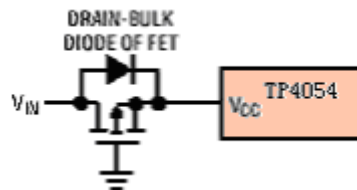
**Figure 5. Using a Microprocessor to Determine  $\overline{CHRG}$  State**

To detect when the TP4054 is in charge mode, force the digital output pin (OUT) high and measure the voltage at the  $\overline{CHRG}$  pin. The N-channel MOSFET will pull the pin voltage low even with the 2k pull-up resistor. Once the charge cycle terminates, the N-channel MOSFET is turned off and a 20mA current source is connected to the  $\overline{CHRG}$  pin. The IN pin will then be pulled high by the 2k pull-up resistor. To determine if there is a weak pull-down current, the OUT pin should be forced to a high impedance state. The weak

current source will pull the IN pin low through the 800k resistor; if  $\overline{CHRG}$  is high impedance, the IN pin will be pulled high, indicating that the part is in a UVLO state.

**Reverse Polarity Input Voltage Protection:**

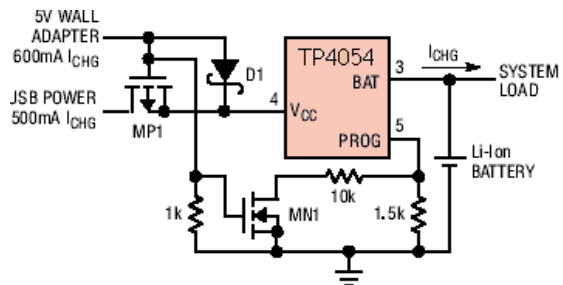
In some applications, protection from reverse polarity voltage on  $V_{CC}$  is desired. If the supply voltage is high enough, a series blocking diode can be used. In other cases, where the voltage drop must be kept low a P-channel MOSFET can be used (as shown in Figure 6).



**Figure 6. Low Loss Input Reverse Polarity Protection**

**USB and Wall Adapter Power:**

The TP4054 allows charging from both a wall adapter and a USB port. Figure 7 shows an example of how to combine wall adapter and USB power inputs. A P-channel MOSFET, MP1, is used to prevent back conducting into the USB port when a wall adapter is present and a Schottky diode, D1, is used to prevent USB power loss through the 1k pull-down resistor. Typically a wall adapter can supply more current than the 500mA-limited USB port. Therefore, an N-channel MOSFET, MN1, and an extra 10k program resistor are used to increase the charge current to 600mA when the wall adapter is present.

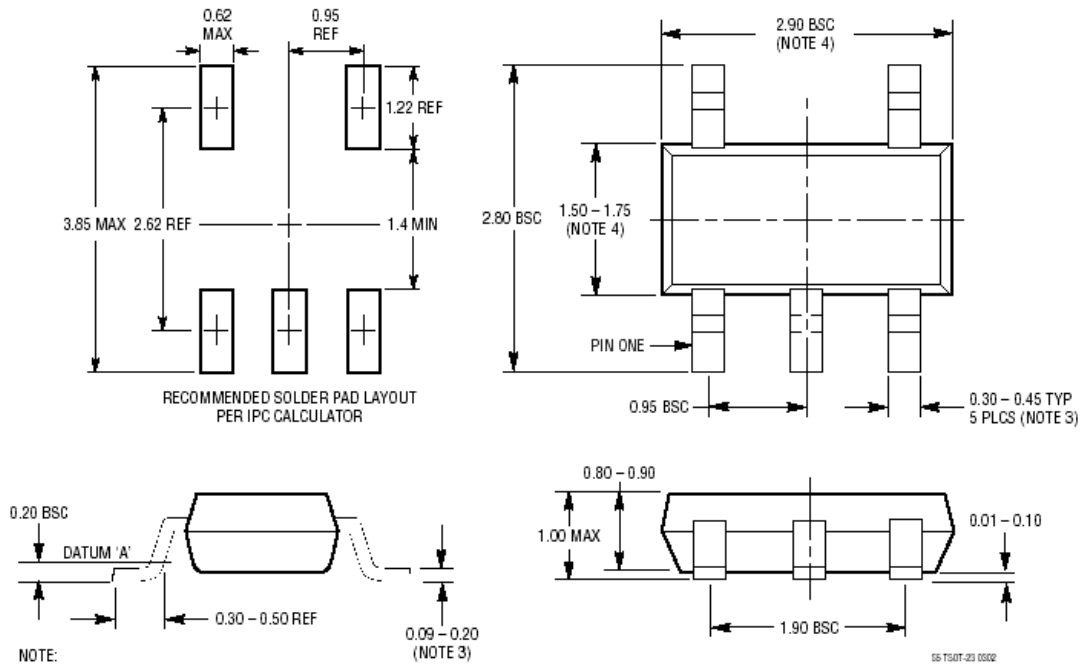


**Figure 7. Combining Wall Adapter and USB power**

# PACKAGE DESCRIPTION

S5 Package

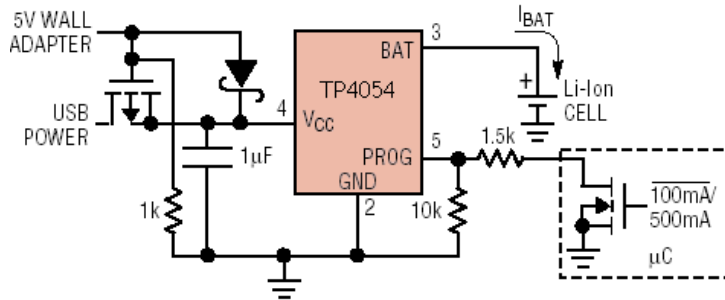
## 5-Lead Plastic TSOT-23-5



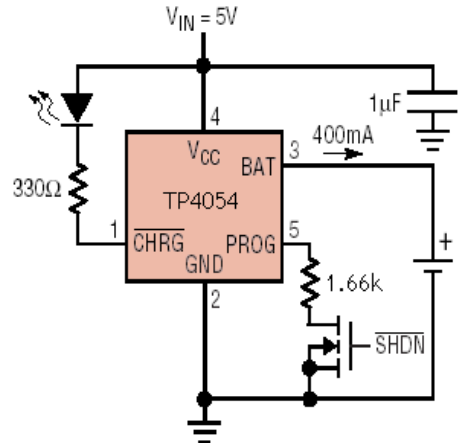
NOTE:  
 1. DIMENSIONS ARE IN MILLIMETERS  
 2. DRAWING NOT TO SCALE  
 3. DIMENSIONS ARE INCLUSIVE OF PLATING  
 4. DIMENSIONS ARE EXCLUSIVE OF MOLD FLASH AND METAL BURR  
 5. MOLD FLASH SHALL NOT EXCEED 0.254mm  
 6. JEDEC PACKAGE REFERENCE IS MO-193

# TYPICAL APPLICATIONS

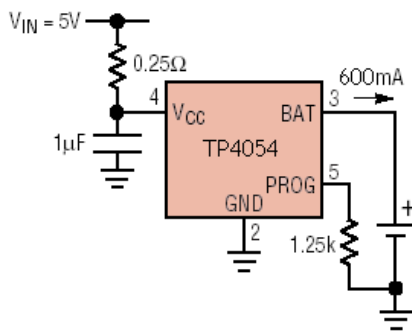
## USB/Wall Adapter Power Li-Ion Charger



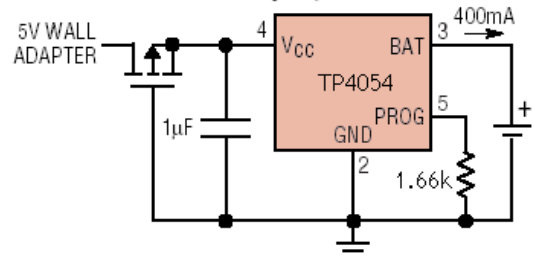
## Full Featured Single Cell Li-Ion Charger



## 600mA Li-Ion Charger with External Power Dissipation

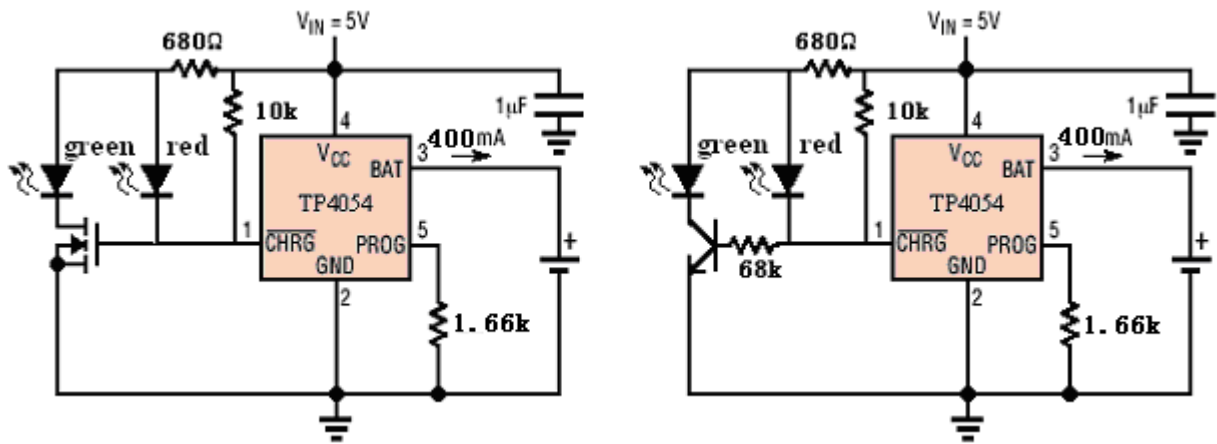


## Basic Li-Ion Charger with Reverse Polarity Input Protection



---

### Red Light And Green Light Control Circuit



[www.s-manuals.com](http://www.s-manuals.com)