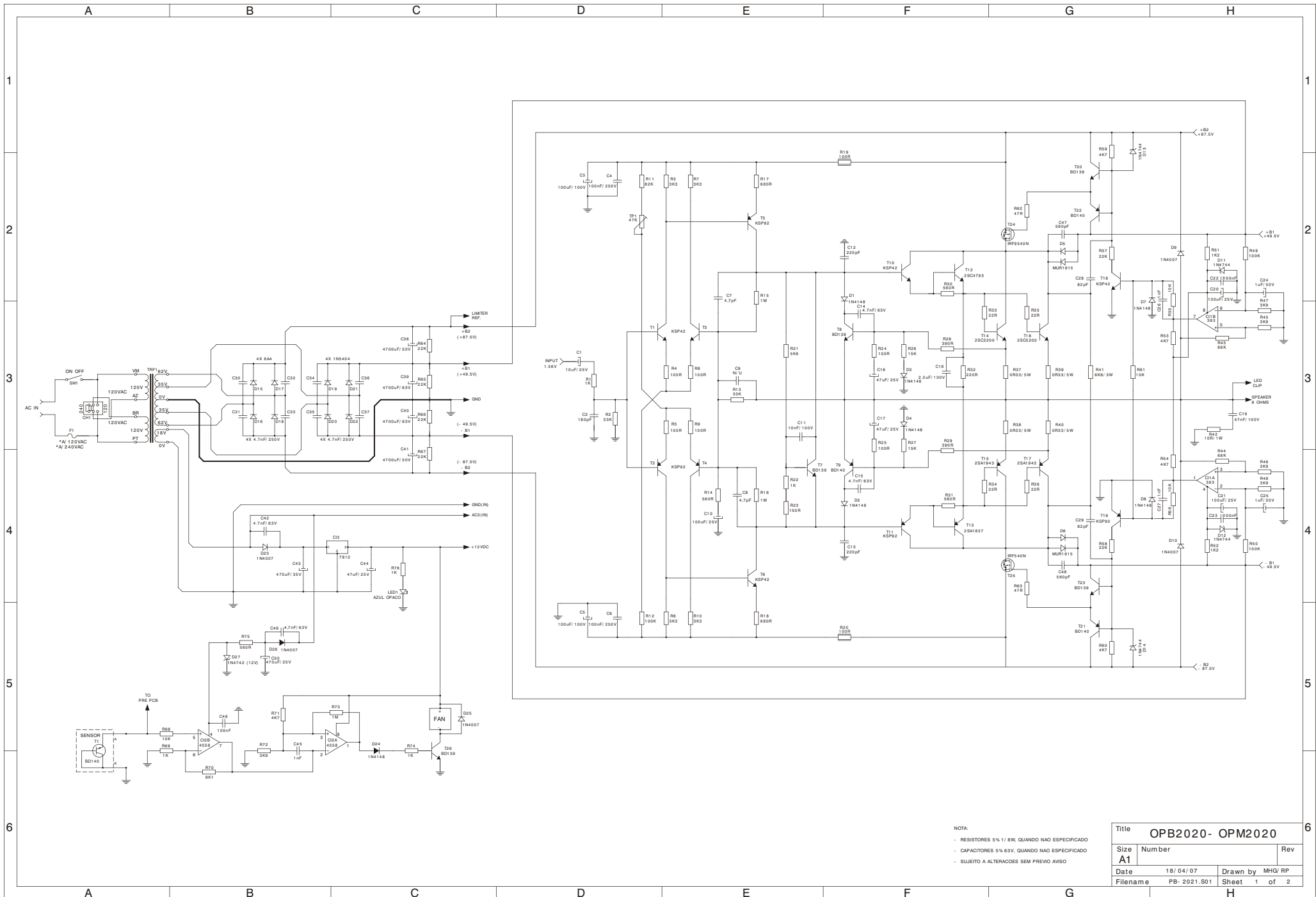
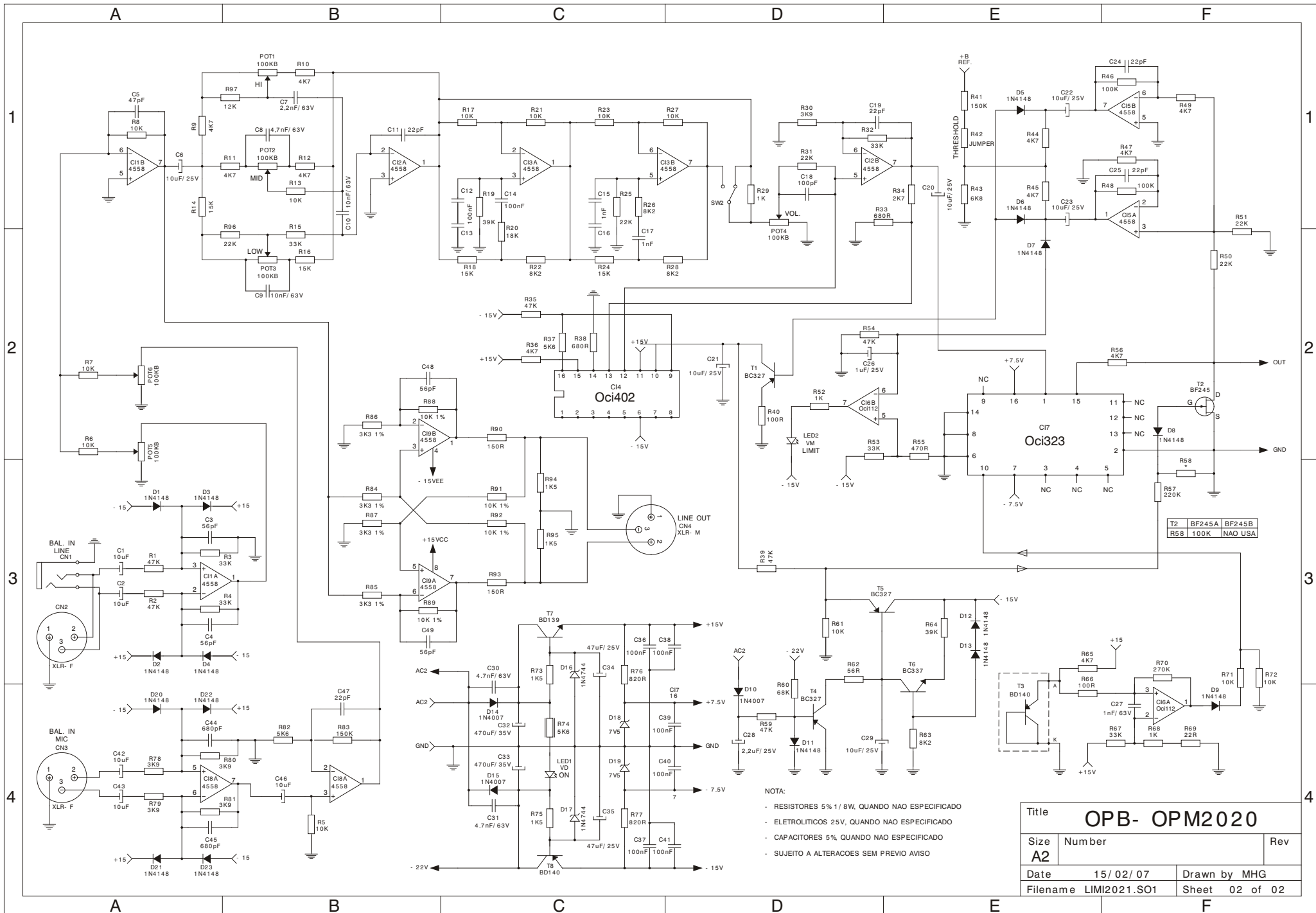


Opb2020 Opn2020



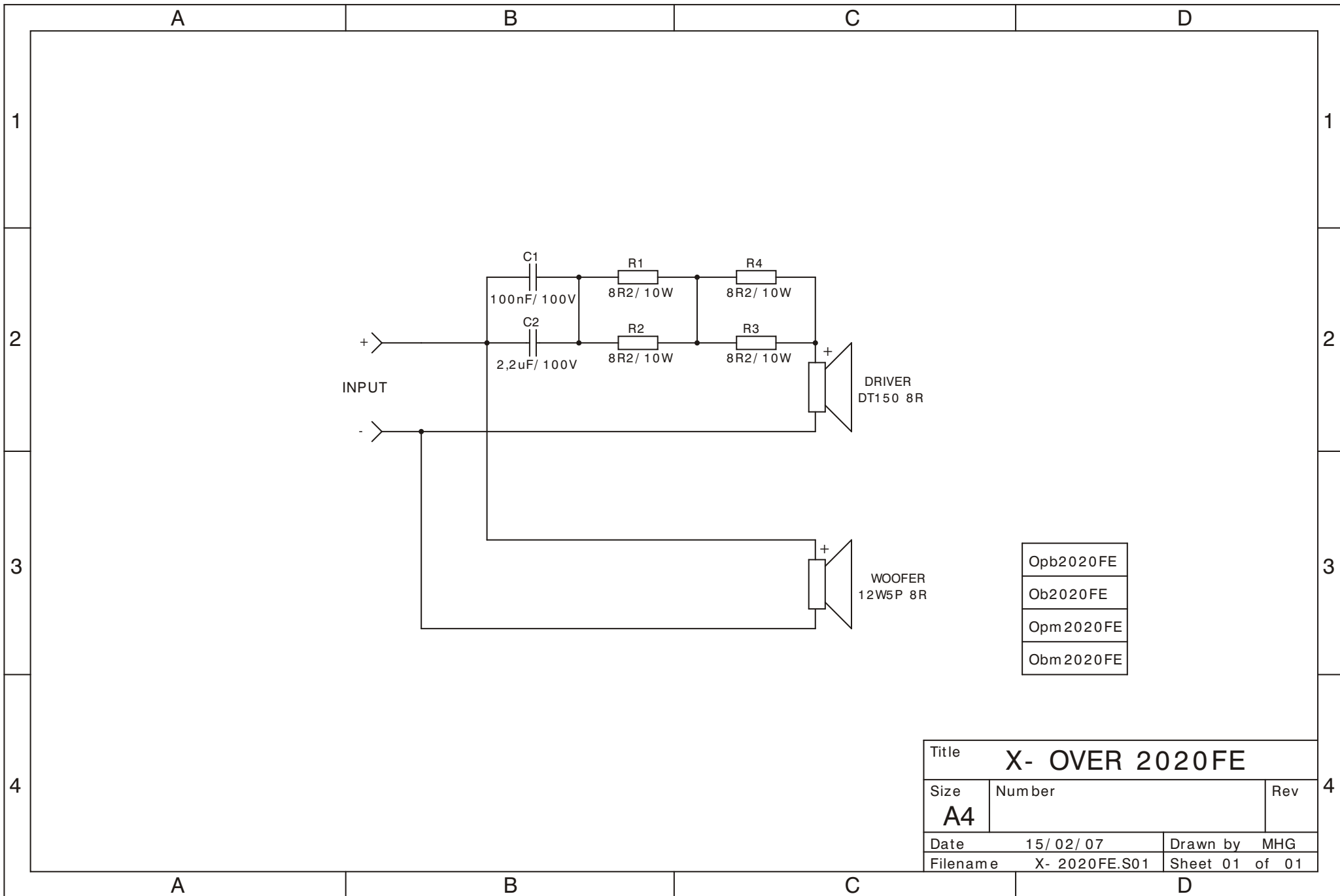
NOTA:
 - RESISTORES 5% 1/8W, QUANDO NAO ESPECIFICADO
 - CAPACITORES 5% 63V, QUANDO NAO ESPECIFICADO
 - SUJEITO A ALTERACOES SEM PREVIO AVISO

Title		OPB2020- OPM2020	
Size	Number	Rev	
Date	18/04/07	Drawn by	MHG/ RP
Filename	PB- 2021.S01	Sheet	1 of 2



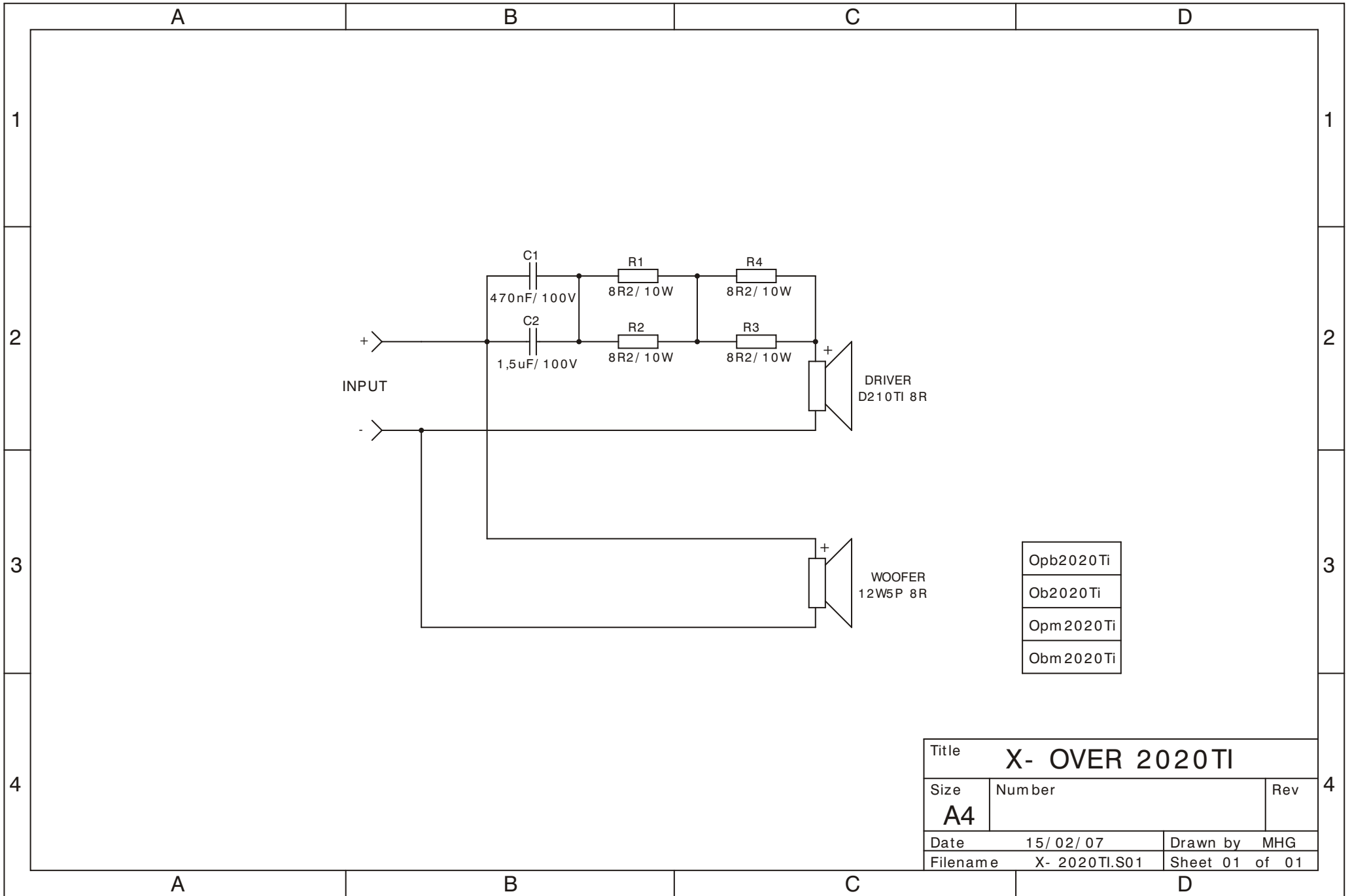
NOTA:
 - RESISTORES 5% 1/8W, QUANDO NAO ESPECIFICADO
 - ELETROLITICOS 25V, QUANDO NAO ESPECIFICADO
 - CAPACITORES 5% QUANDO NAO ESPECIFICADO
 - SUJEITO A ALTERACOES SEM PREVIO AVISO

Title			OPB- OPM200		
Size	Number	Rev			
A2					
Date	15/02/07	Drawn by		MHG	
Filename	LIM2021.S01	Sheet		02 of 02	



Opb2020FE
Ob2020FE
Opm2020FE
Obm2020FE

Title			X- OVER 2020FE		
Size	Number		Rev		4
A4					
Date	15/02/07	Drawn by	MHG		
Filename	X- 2020FE.S01	Sheet	01 of 01		



Opb2020Ti
Ob2020Ti
Opm2020Ti
Obm2020Ti

Title X- OVER 2020TI		
Size A4	Number	Rev
Date 15/02/07	Drawn by MHG	
Filename X-2020TI.S01	Sheet 01 of 01	